

4x ISO 4762 M4x40
separately
enclosed
apply a torque
of 0,8 - 1Nm

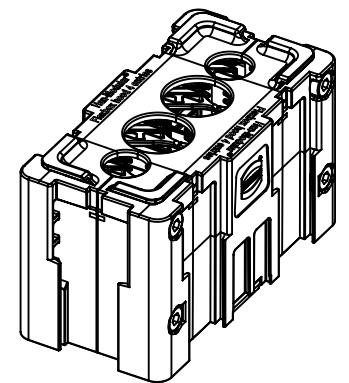
56,7

Ø18,2

Ø12,2

45,8

91,8



| | | | | | | |
|---|--|---|----------------------|------------------------------|--|------------------------|
| | All Dimensions in mm Original Size DIN A4 | | Scale 1:1 | Free size tol. | | Ref. |
| | | | Created by DEIMEL | Inspected by GRIEPENSTROH | Standardisation GARSKE | Sub. |
| All rights reserved Department EL PD | | Title Han-Modular Flexbox hood 4 entries | | | Date 2020-04-16 | State Final Release |
| HARTING Electric GmbH & Co. KG D-32339 Espelkamp | | Type TB | | | Number 09 14 000 8014 | |
| | | | | | Doc-Key / ECM-Nr. 100802104 / UGD / 001/B 500000166513 | Rev. B |
| | | | | | Page 1/1 | |