

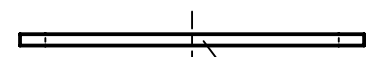
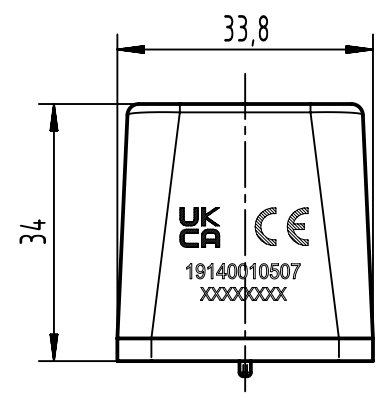
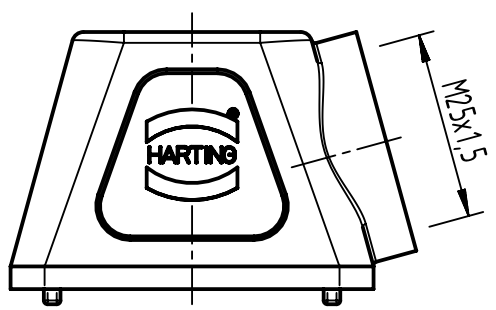
1 2 3 4 5 6

A

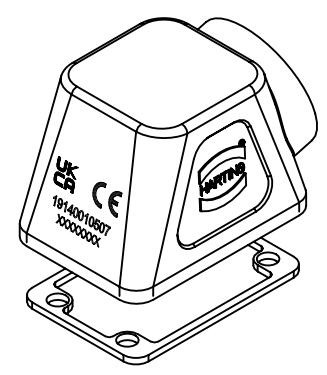
B

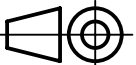

C

D



gasket
enclosed separately



	All Dimensions in mm Original Size DIN A4		Scale 1:1	Free size tol.		Ref.		
						Sub.		
	All rights reserved		Created by 100887	Inspected by SUNDERMEIER	Standardisation	Date 2022-08-04	State Final Release	
	Department EL PD		Title Han 1Mod-gs-M25 M4				Doc-Key / ECM-Nr. 100650198/UGD/001/B 500000222777	
HARTING D-32339 Espelkamp			Type TB	Number 19 14 001 0507			Rev. B	Page 1/1