

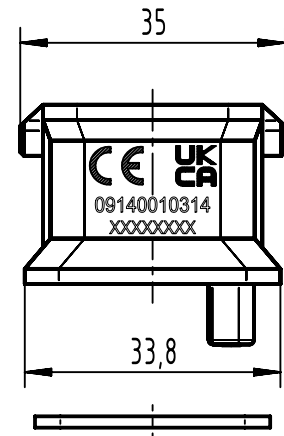
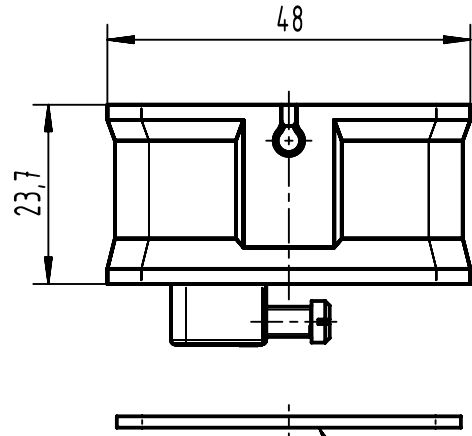
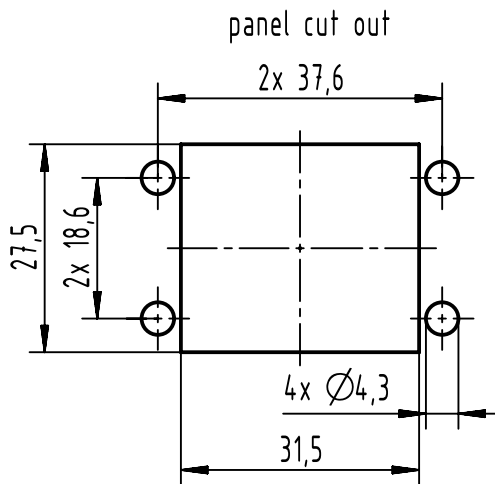
1 2 3 4 5 6

A

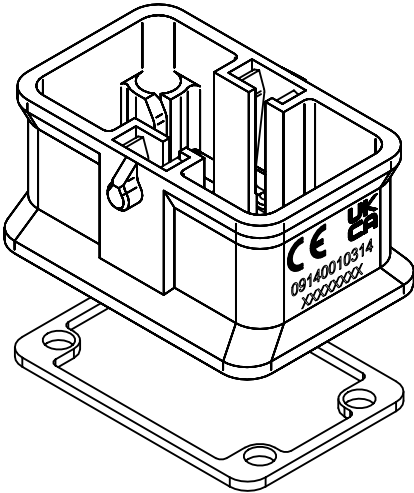
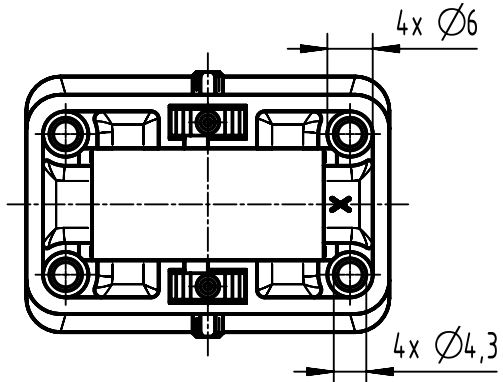
B


C

D



enclosed separately



	All rights reserved Department EL PD	All Dimensions in mm Original Size DIN A4		Scale 1:1	Free size tol.	Ref. Sub.
		Created by CELMARE	Inspected by PRIESTER	Standardisation	Date 2023-08-30	State Final Release
HARTING D-32339 Espelkamp		Title Han 1Mod-agg-F M4			Doc-Key / ECM-Nr. 100650639/UGD/003/D 50000024.7383	
		Type TB	Number 09 14 001 0314		Rev. D	Page 1/1