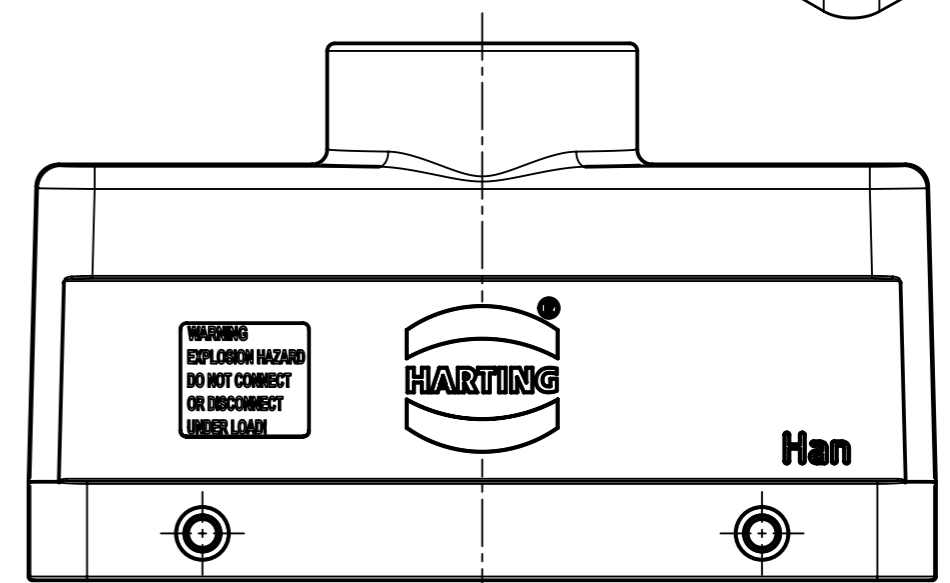
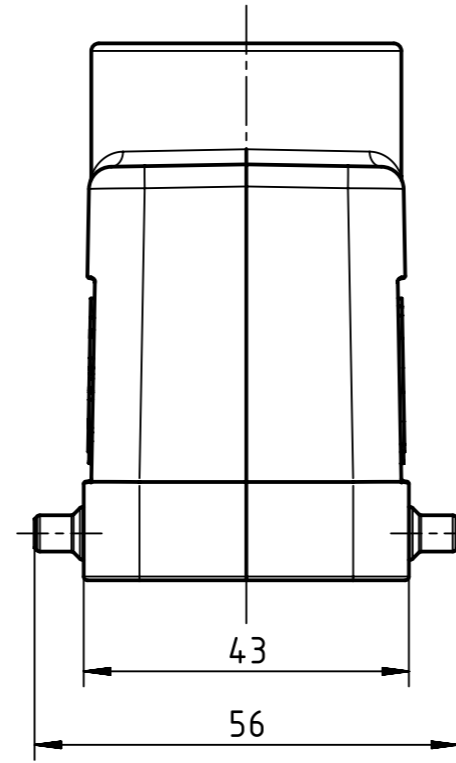
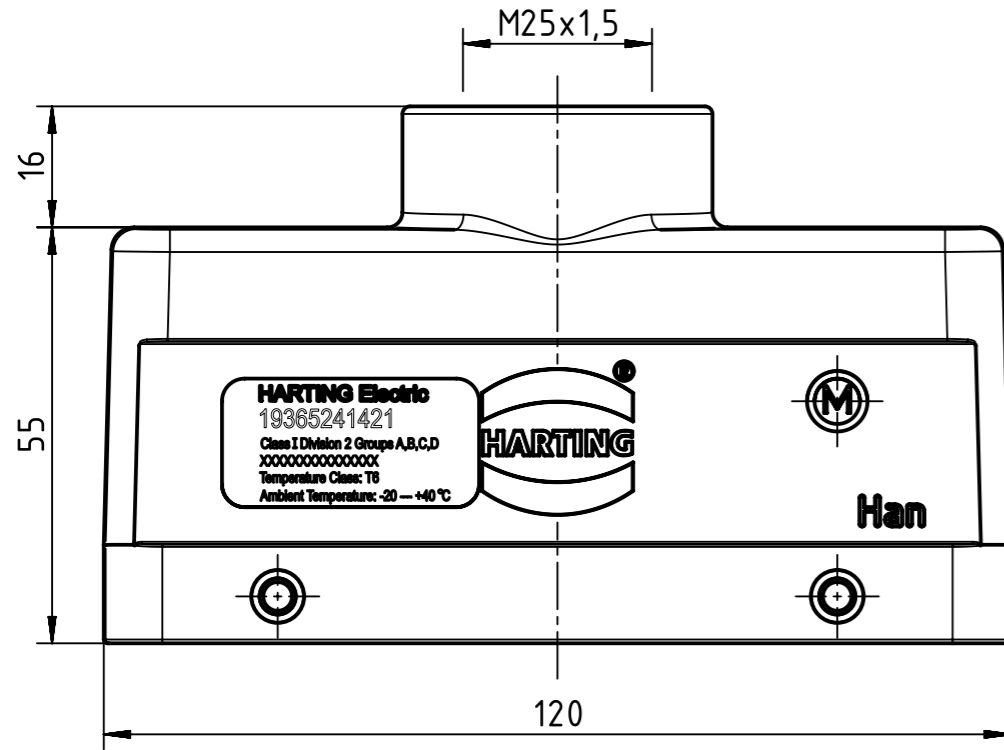
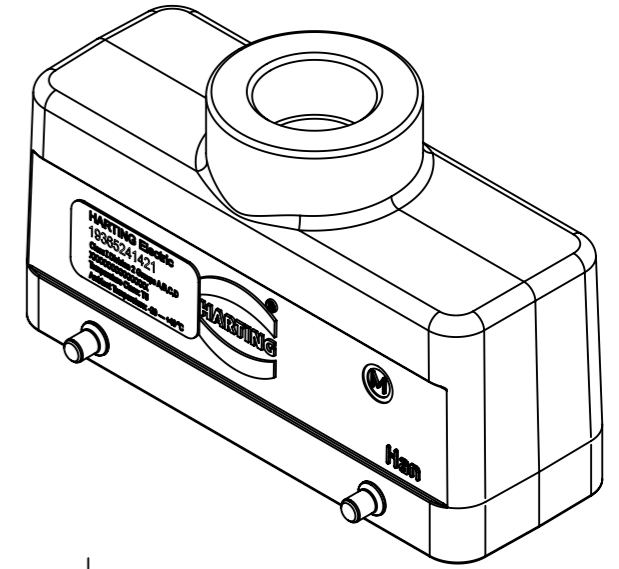


FOR USE WITH AWG 12, 14 AND 16

FOR USE WITH CABLE TYPE:  
PLTC, PLTC-ER, ITC, ITC-ER, MC, MV AND TC

FOR USE IN CLASS I, DIVISION 2 GROUPS A, B, C AND D  
HAZARDOUS LOCATIONS OR UNCLASSIFIED LOCATIONS



WARNING  
EXPLOSION HAZARD  
DO NOT CONNECT  
OR DISCONNECT  
UNDER LOAD!

THE INSTALLATION MUST BE IN ACCORDANCE WITH THE ASSOCIATED LOCATION RESTRICTIONS OF THE NATIONAL ELECTRIC CODE OR CANADIAN ELECTRICAL CODE AS APPLICABLE, INCLUDING ISSUES SUCH AS THE ROUTING, SUPPORT AND LENGTH OF THE INVOLVED CORD OR CABLE.

	All rights reserved	Created by LONGL	Inspected by WENE	Standardisation RUETERA	Date 2018-06-27	State Final Release	Ref. Sub.
	Department EL PD	Title Han 24Ex UL-HTE-M25				Doc-Key / ECM-Nr. 100670249/UGD/000/C 500000136860	
HARTING (Zhuhai) Manufacturing Co., Ltd. 519085 Zhuhai, China		Type TB	Number 19 36 524 1421			Rev. C	Page 1/2

