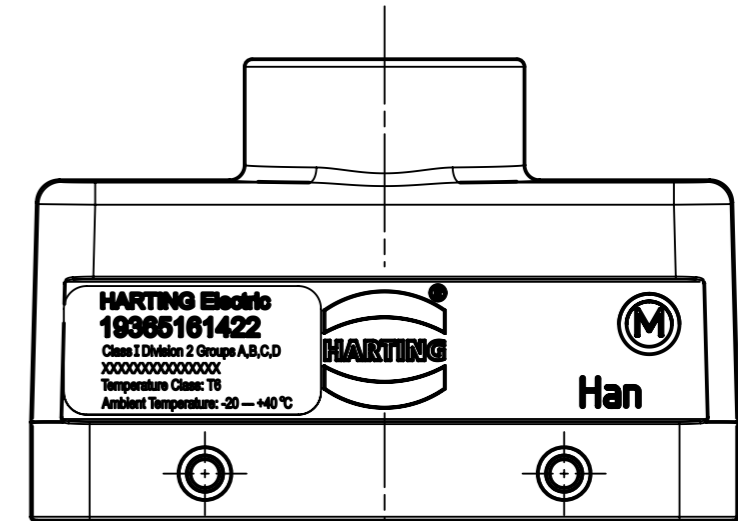
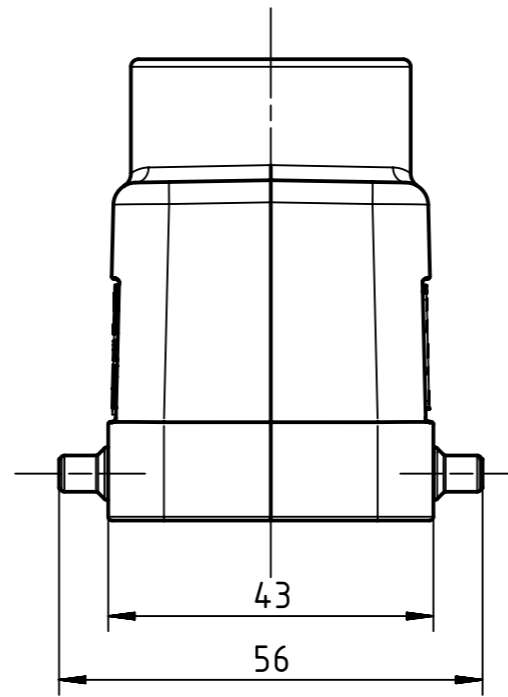
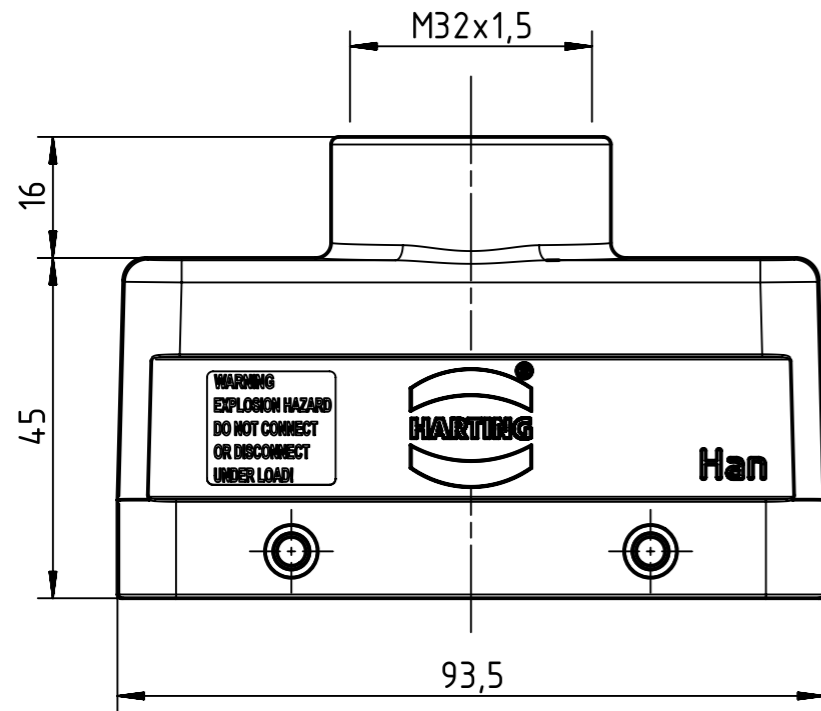
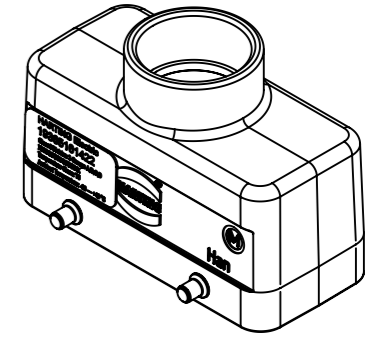


FOR USE WITH AWG 12, 14 AND 16

FOR USE WITH CABLE TYPE:  
PLTC, PLTC-ER, ITC, ITC-ER, MC, MV AND TC

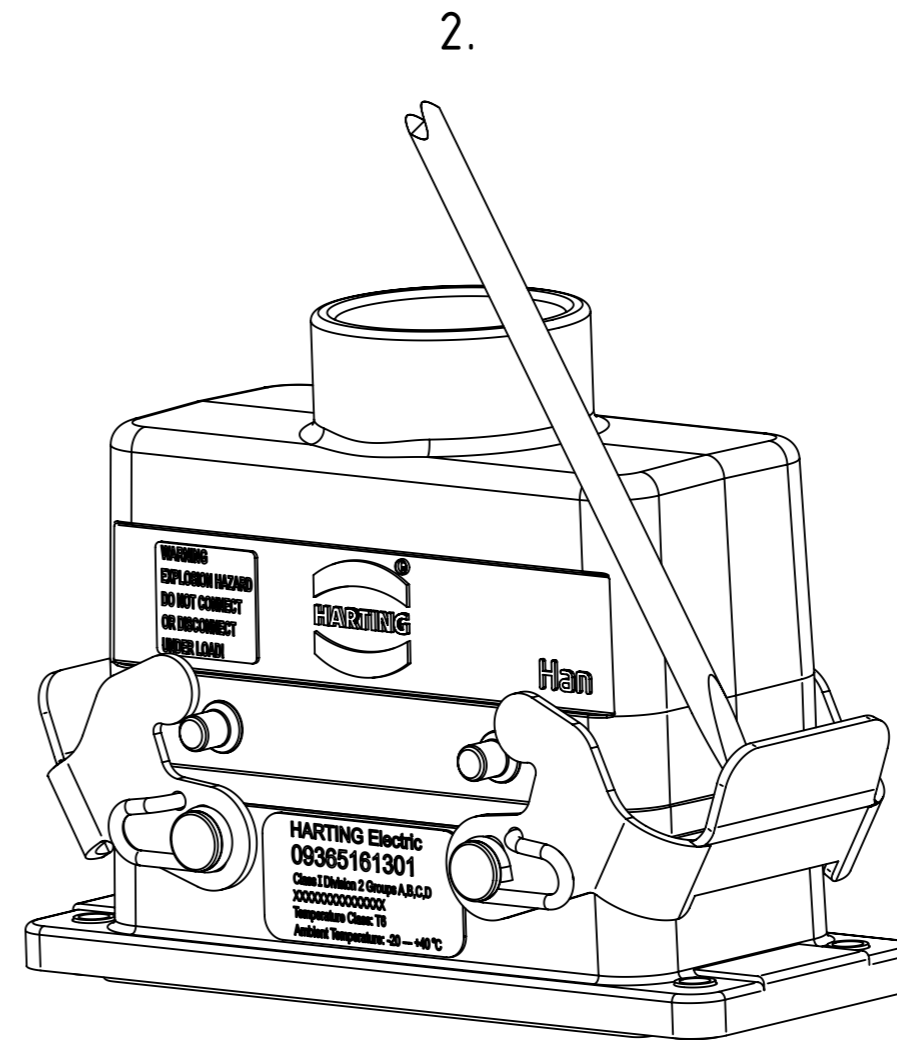
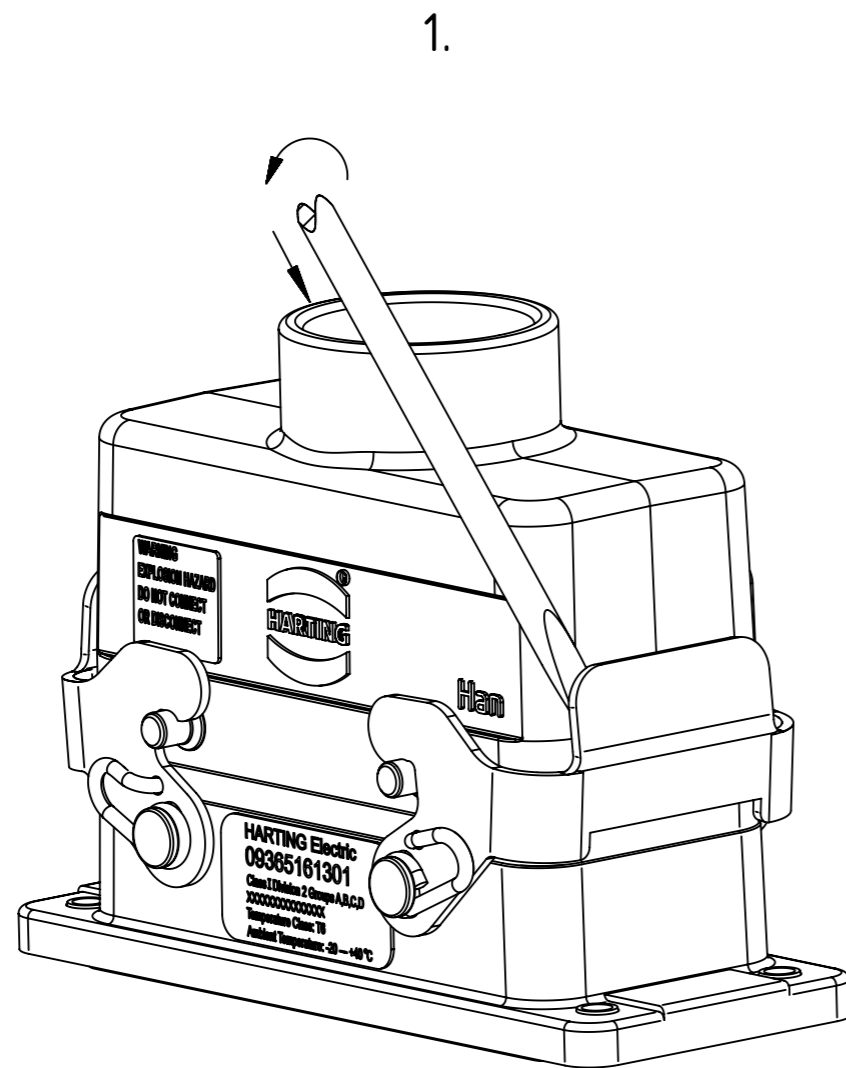
FOR USE IN CLASS 1, DIVISION 2, GROUP A,B,C, AND D  
HAZARDOUS LOCATIONS OR UNCLASSIFIED LOCATIONS



WARNING  
EXPLOSION HAZARD  
DO NOT CONNECT  
OR DISCONNECT  
UNDER LOAD!

THE INSTALLATION MUST BE IN  
ACCORDANCE WITH THE ASSOCIATED LOCATION  
RESTRICTIONS OF THE NATIONAL ELECTRIC CODE  
OR CANADIAN ELECTRICAL CODE AS APPLICABLE,  
INCLUDING ISSUES SUCH AS ROUTING, SUPPORT  
AND LENGTH OF THE INVOLVED CODE OR CABLE.

	All Dimensions in mm Original Size DIN A3	Scale 1:1		Free size tol.		Ref.	
						Sub.	
	All rights reserved	Created by LONGL	Inspected by WENE	Standardisation RUETERA	Date 2018-06-27	State Final Release	
	Department EL PD	Title Han 16Ex UL-HTE-M32				Doc-Key / ECM-Nr. 100670458/UGD/002/C 500000136859	
HARTING Electric GmbH & Co. KG D-32339 Espelkamp		Type TB	Number 19 36 516 1422			Rev. C	Page 1/2



To separate connector, insert small flat head tool or screwdriver between metal lever and housing as shown in the diagram, press the screwdriver in a downward direction until the metal lever releases.

To secure the hood and housing assembly together, press the metal lever upward direction until metal lever latches into housing pins.