

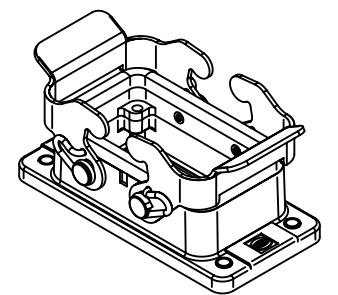
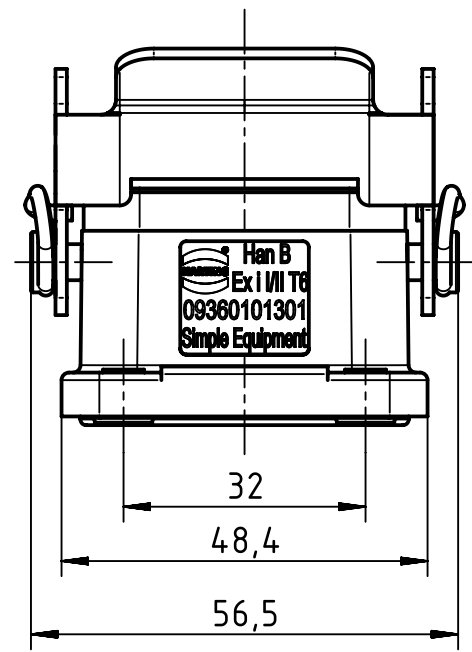
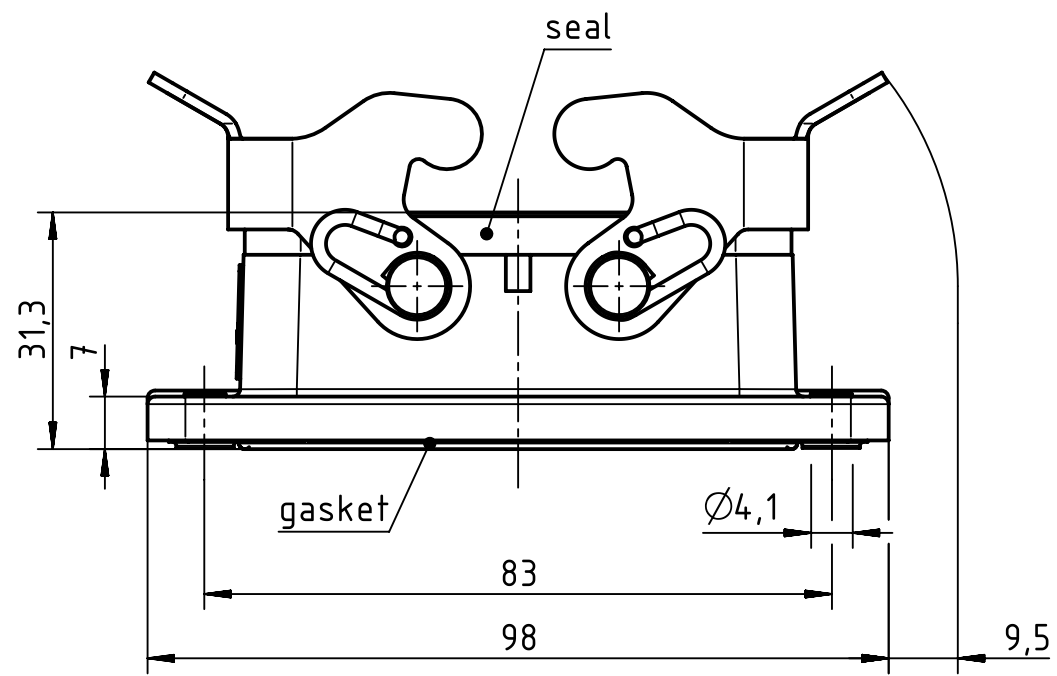
1 2 3 4 5 6

A

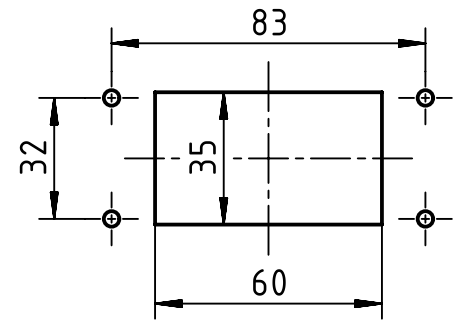
B

C

D



panel cut out (1:2)



	All rights reserved Department EL PD HARTING Electric GmbH & Co. KG D-32339 Espelkamp	All Dimensions in mm Original Size DIN A4		Scale 1:1	Free size tol.	Ref. Sub.
		Created by ZENGQ	Inspected by LUOK	Standardisation TIEMANNA	Date 2018-11-15	State Final Release
Title Han 10B Ex-HBM-Double Lever					Doc-Key / ECM-Nr. 100588438/UGD/002/C 500000143398	
Type TB			Number 09 36 010 1301		Rev. C	Page 1/1