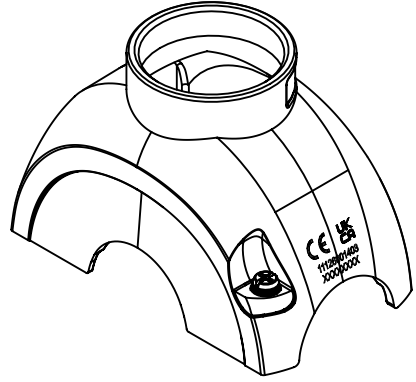
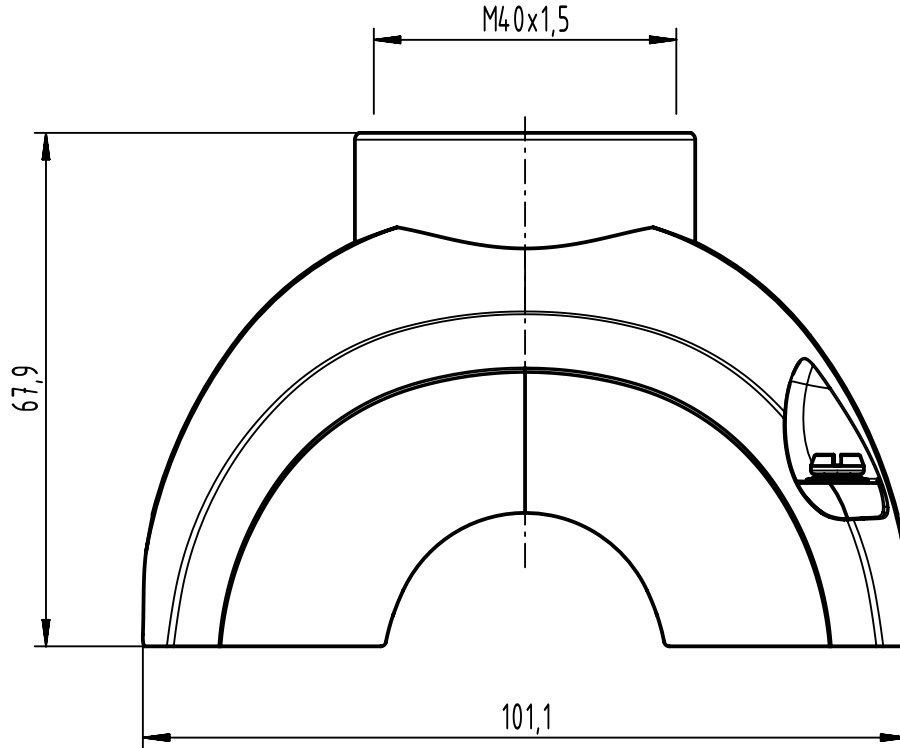
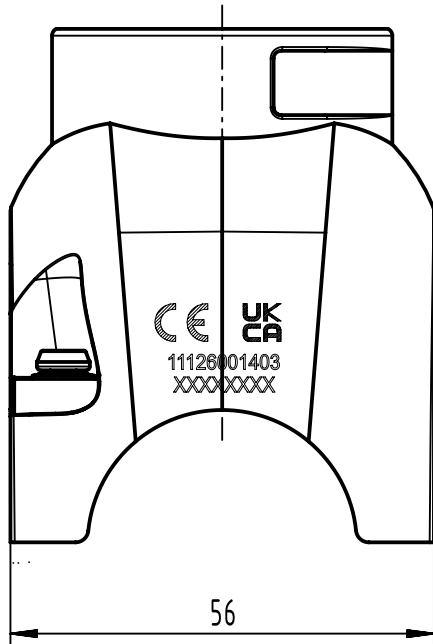


A


B

C

D



range of delivery: shell with M4 screws, washers and seals
to mount on carrier hood

	All rights reserved		Created by HELLMANN		Inspected by GERB		Standardisation		Date 2021-11-15		State Final Release	
	Department EL PD		Title Han-Yellock shell top entry M40		Number 11 12 600 1403		Doc-Key / ECM-Nr. 100186199/UGD/008/A 500000204282		Rev. A		Page 1/1	
HARTING D-32339 Espelkamp			All Dimensions in mm Original Size DIN A4		Scale 1:1		Free size tol.		Ref. Sub.			