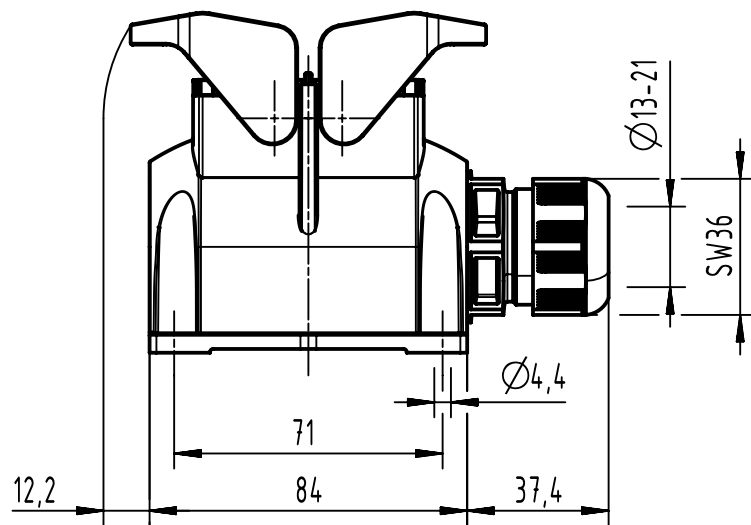
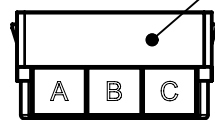
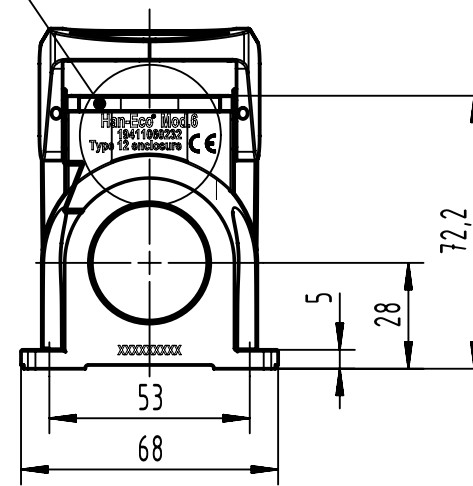


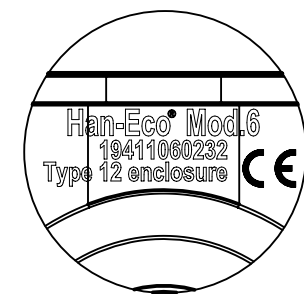
adapter frame



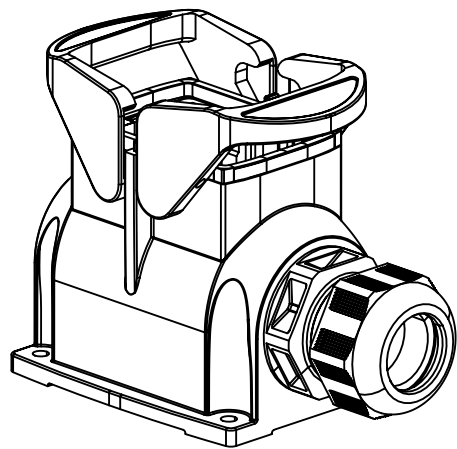
seal



Z (1:1)



adapter frame and cable gland are enclosed



	All Dimensions in mm Original Size DIN A4		Scale 1:2	Free size tol.		Ref.
						Sub.
	All rights reserved		Created by 402918	Inspected by 402602	Standardisation 302077	Date 2021-03-01
	Department EL PD					State Final Release
HARTING			Title Han-Eco Mod.6-HSM1-M32-glanded			Doc-Key / ECM-Nr. 100222553/UGD/006/F 500000189853
D-32339 Espelkamp			Type TB	Number 19 41 106 0232		Rev. F
						Page 1/1