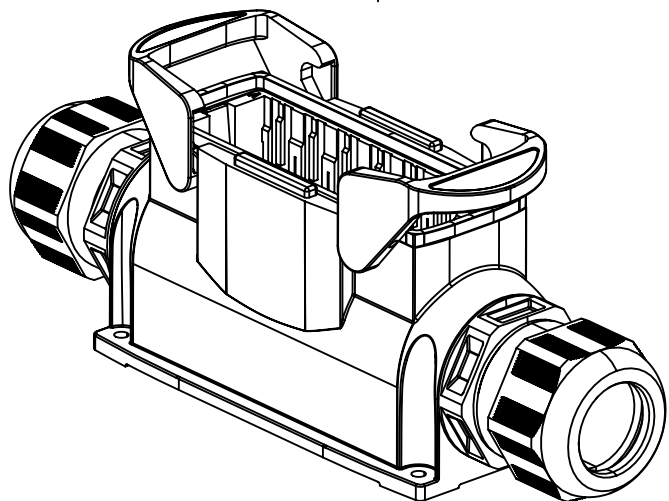



adapter frame and cable glands are enclosed



	All rights reserved Department EL PD	All Dimensions in mm Original Size DIN A4	Scale 1:2	Free size tol.	Ref.	
		HARTING D-32339 Espelkamp	Created by 402918	Inspected by 402602	Standardisation 302077	Date 2021-03-08
Title Han-Eco Mod.24-HSM2-M40-glanded					Doc-Key / ECM-Nr. 100222557/UGD/004/F 500000190245	
Type TB		Number 19 41 124 0273			Rev. F	Page 1/1