

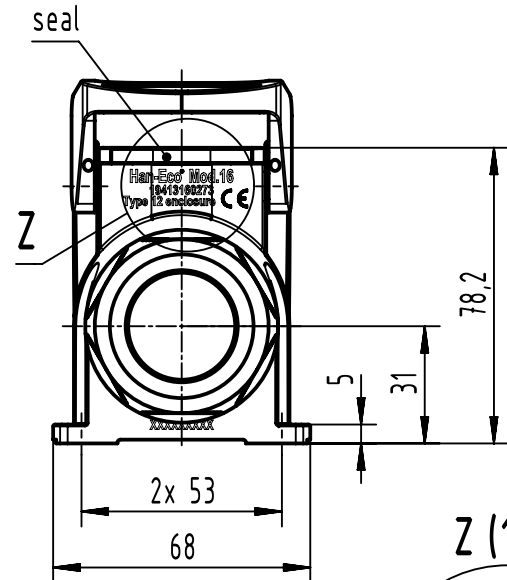
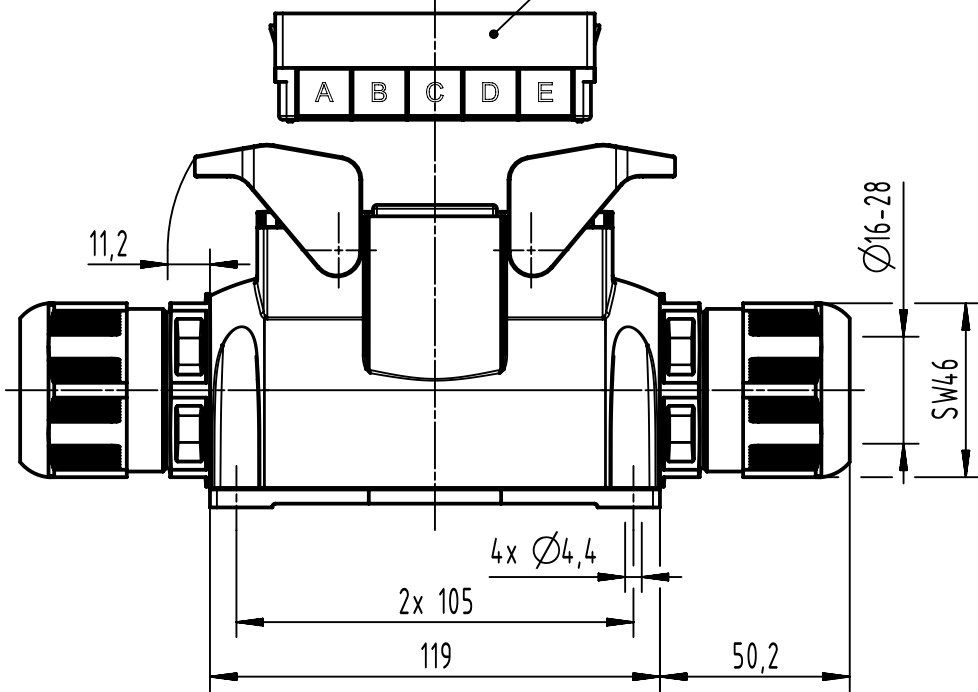
A

B

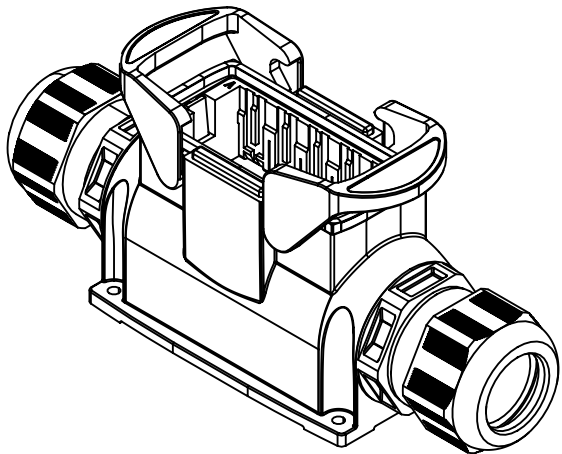
C

D

adapter frame



Z (1:1)



adapter frame and cable glands are enclosed

	All Dimensions in mm Original Size DIN A4	Scale 1:2		Free size tol.		Ref.	
		Created by BALSAN		Inspected by 402602	Standardisation 302077	Date 2021-03-08	State Final Release
	All rights reserved Department EL PD	Title Han-Eco Mod.16 Outd.-HSM2-M40-glanded				Doc-Key / ECM-Nr. 100222560/UGD/006/G 500000190676	
		HARTING D-32339 Espelkamp		Type TB	Number 19 41 316 0273		Rev. G