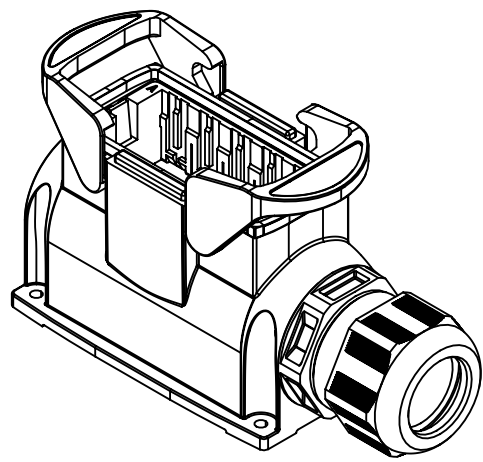
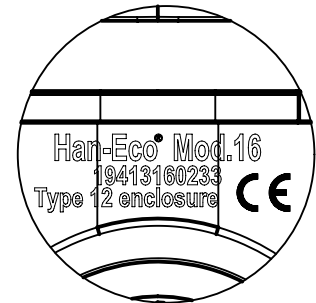
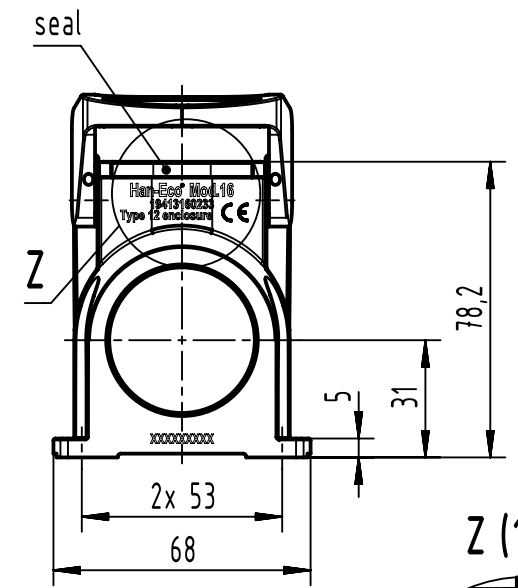
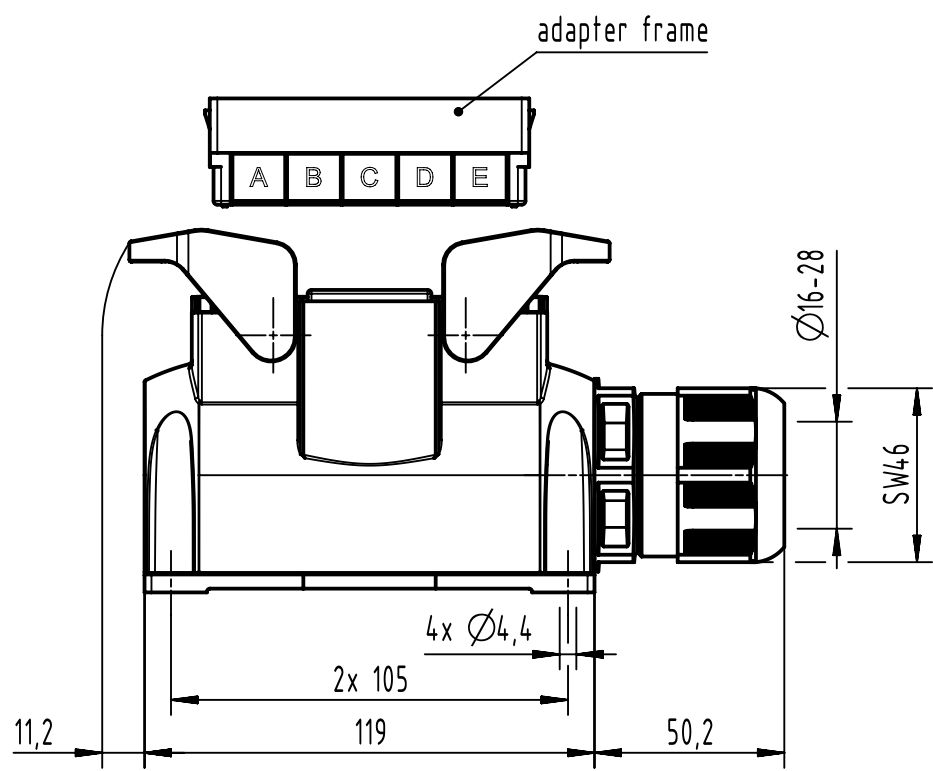


1 2 3 4 5 6

A
B
C
D



adapter frame and cable gland are enclosed

	All Dimensions in mm Original Size DIN A4	Scale 1:2	Free size tol.	Ref.	
	All rights reserved Department EL PD	Created by BALSAN	Inspected by 402602	Standardisation 302077	Date 2021-03-08
HARTING D-32339 Espelkamp	Title Han-Eco Mod.16 Outd.-HSM1-M40-glanded			Doc-Key / ECM-Nr. 100222559/UGD/008/G 500000190676	
Type TB		Number 19 41 316 0233		Rev. G	Page 1/1