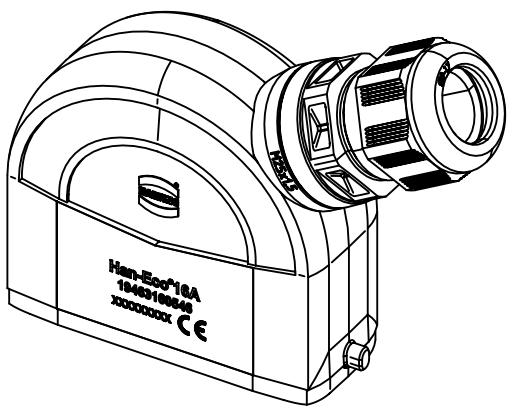
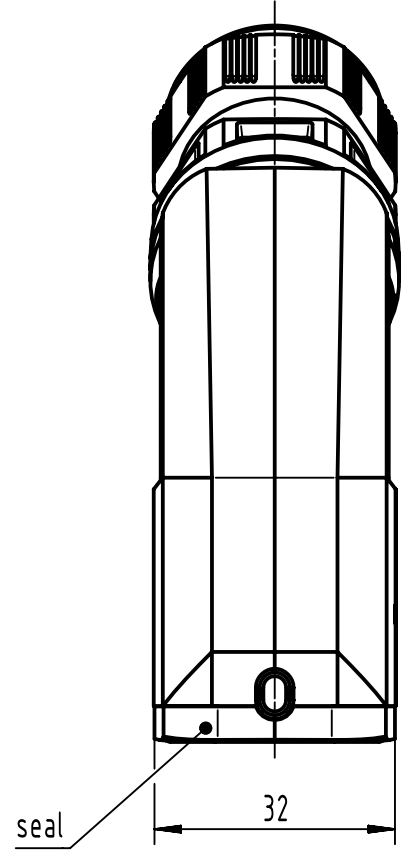
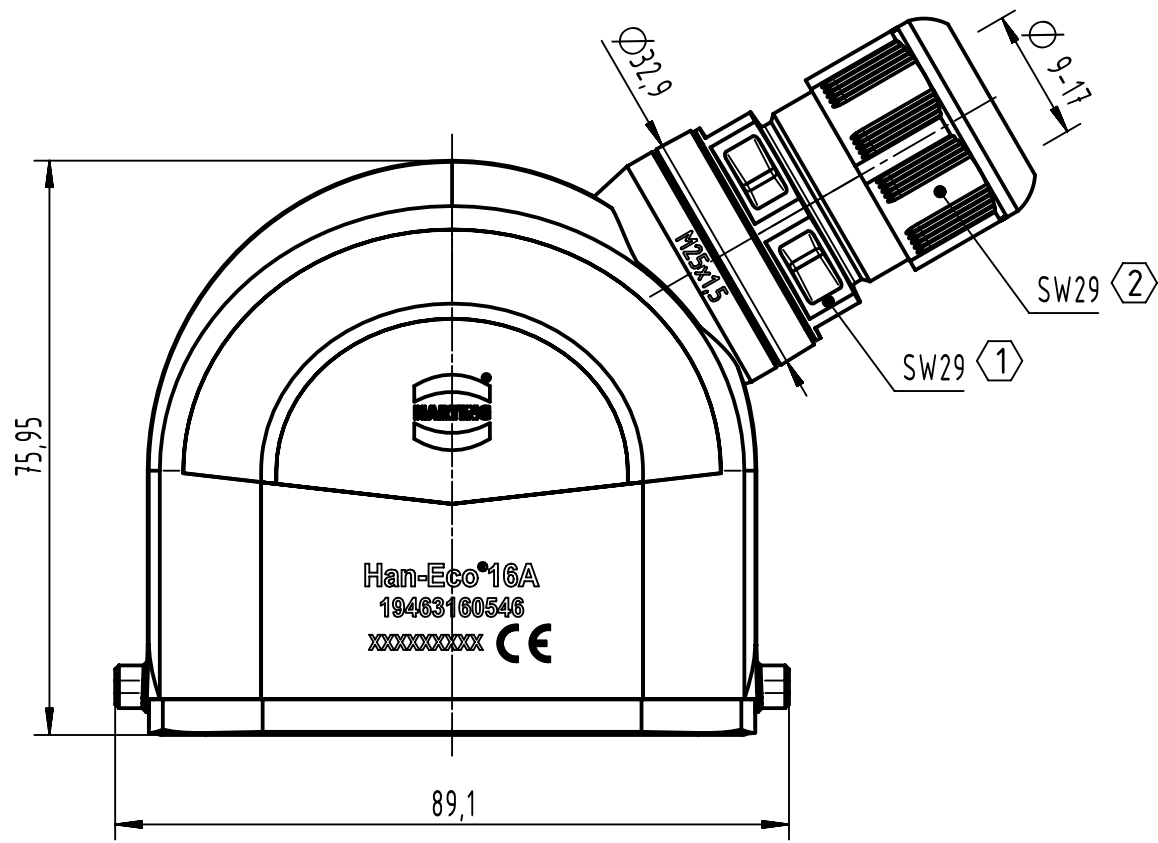


A

B

C

D



- ① tightening torque max. 10Nm
- ② tightening torque max. 4Nm

	All Dimensions in mm Original Size DIN A4		Scale 1:1	Free size tol.		Ref.
						Sub.
	All rights reserved		Created by 102700	Inspected by SUNDERMEIER	Standardisation	Date 2021-08-12
	Department EL PD		Title Han-Eco Outdoor 16A-HSE-M25 w. cable gl.			State Final Release
HARTING D-32339 Espelkamp			Type TB	Number 19 46 316 0546		Doc-Key / ECM-Nr. 100613929/UGD/001/C 500000200802
					Rev. C	Page 1/1