

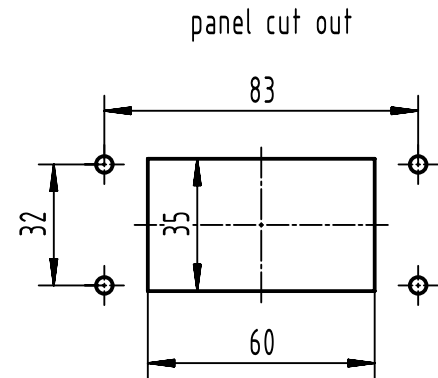
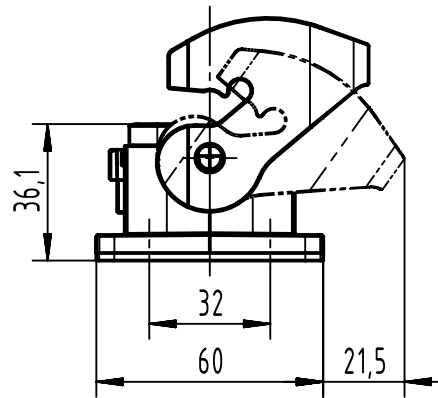
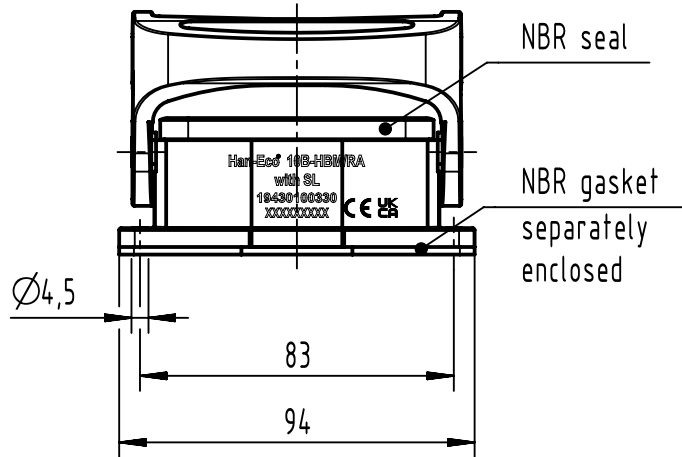
1 2 3 4 5 6

A

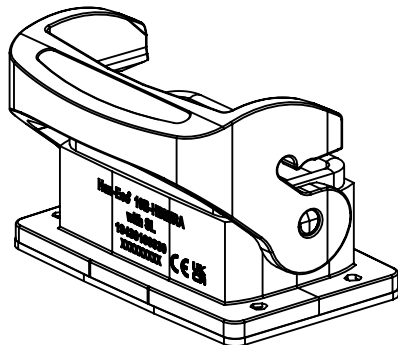
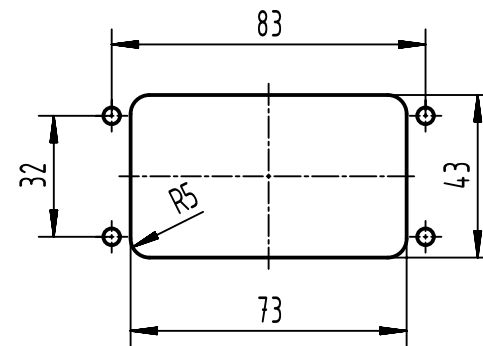
B

C

D



panel cut out  
for assembly from  
the inner side of cabinet



	All Dimensions in mm Original Size DIN A4		Scale 1:2	Free size tol.		Ref.		
						Sub.		
	All rights reserved		Created by SPRENB	Inspected by HERBRECHTSME	Standardisation	Date 2023-06-01	State Final Release	
	Department EL PD		Title Han-Eco 10B-HBM/RA-with SL				Doc-Key / ECM-Nr. 100767893/UGD/001/B 500000243572	
HARTING D-32339 Espelkamp			Type TB	Number 19 43 010 0330			Rev. B	Page 1/1