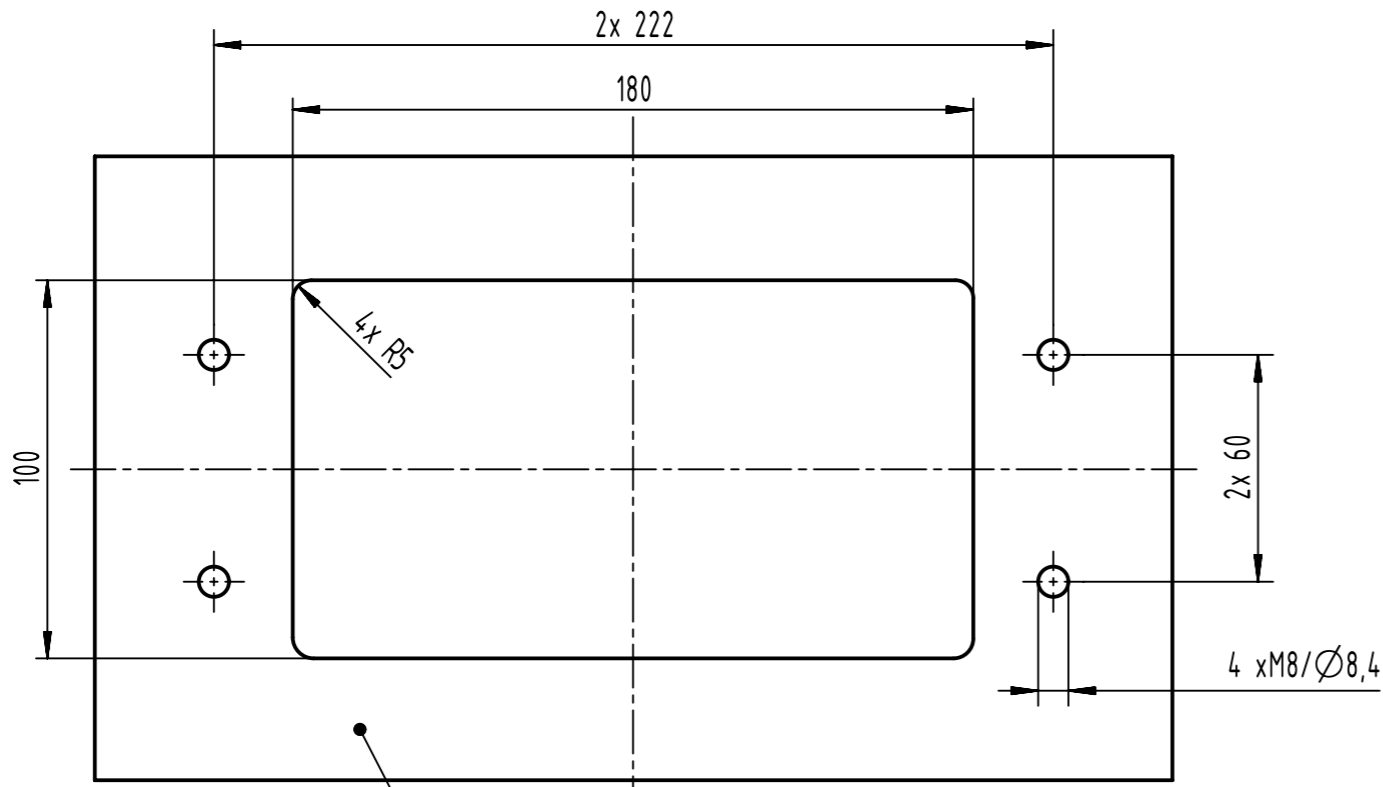
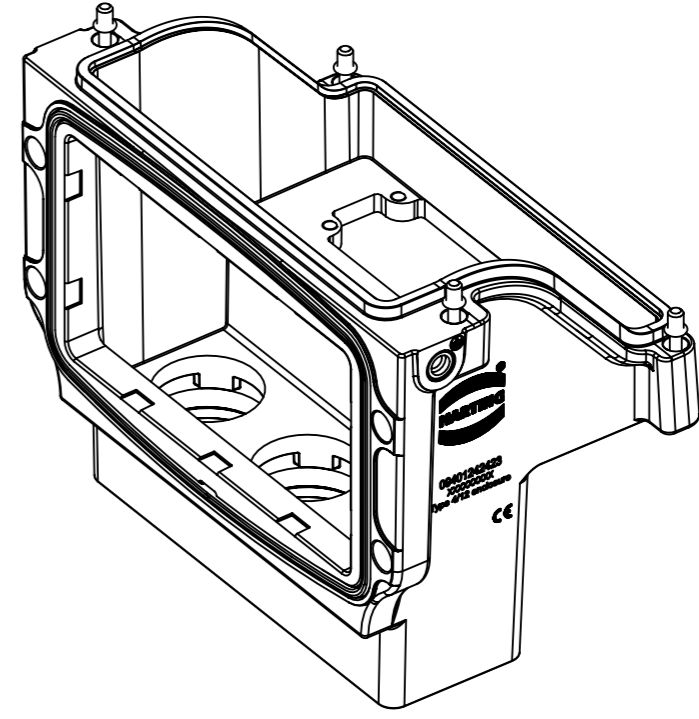


Panel cut out



Mounting area:  
Waviness: ≤0,2mm (in combination with mounting frame: ≤0,5mm)  
Roughness: ≤Ra16µm



	All rights reserved	Created by 407807	Inspected by DINGB	Standardisation ROEBEN	Date 2023-01-05	State Final Release	Ref. Sub.
	Department EL PD	Title Han 24HPR VarioShell-HBMA-SCL-SP2-24HPR				Doc-Key / ECM-Nr. 100948266/UGD/001/B 50000232804	
HARTING D-32339 Espelkamp	Type TB	Number 09 40 124 2423			Rev. B	Page 1/1	