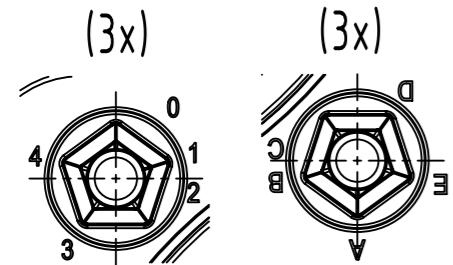


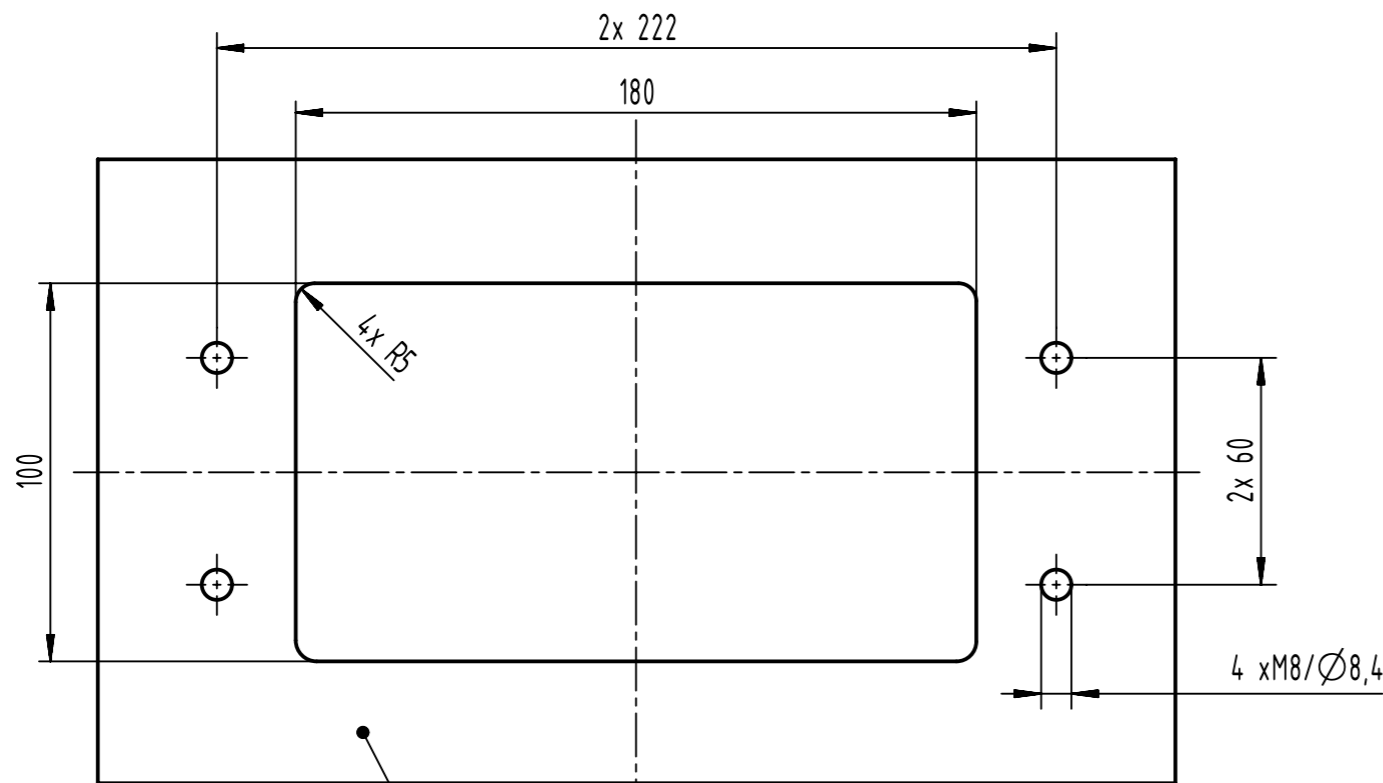
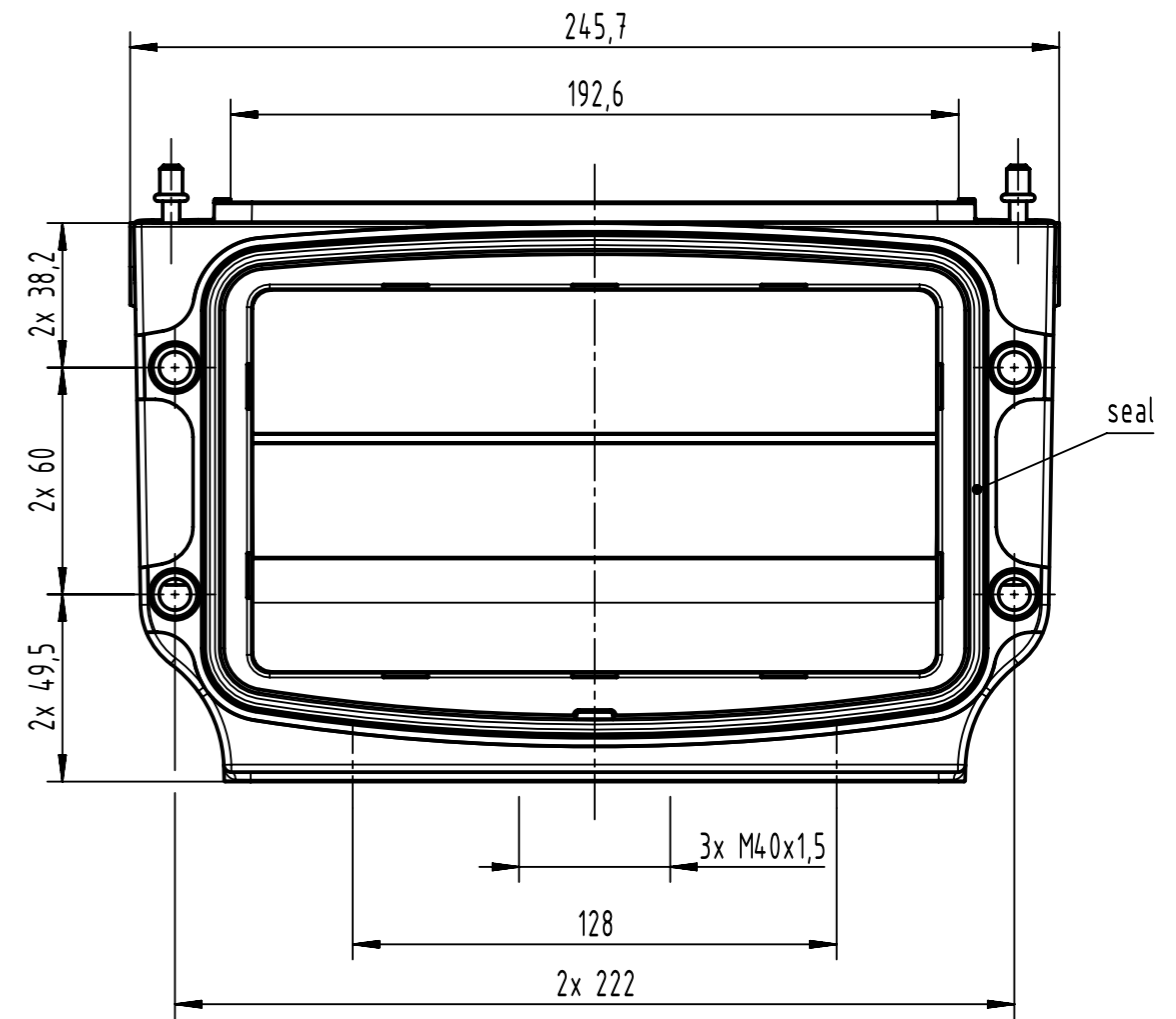
Panel cut out



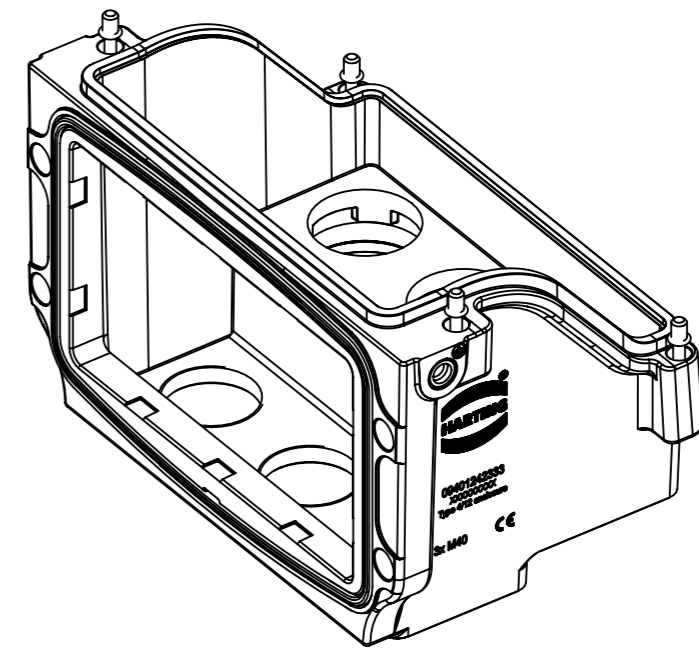
F (1:1) (4x)



SW5
tightening torque min. 10Nm



Mounting area:
Waviness: $\leq 0,2\text{mm}$ (in combination with mounting frame: $\leq 0,5\text{mm}$)
Roughness: $\leq \text{Ra}16\mu\text{m}$



	All rights reserved	Created by 407807	Inspected by DINGB	Standardisation ROEBEN	Date 2023-01-05	State Final Release	Ref. Sub.
	Department EL PD	Title Han 24HPR VarioShell-HBMA-SCL-SP2-3xM40				Doc-Key / ECM-Nr. 100965092/UGD/001/B 500000232804	
HARTING D-32339 Espelkamp	Type TB	Number 09 40 124 2333			Rev. B	Page 1/1	