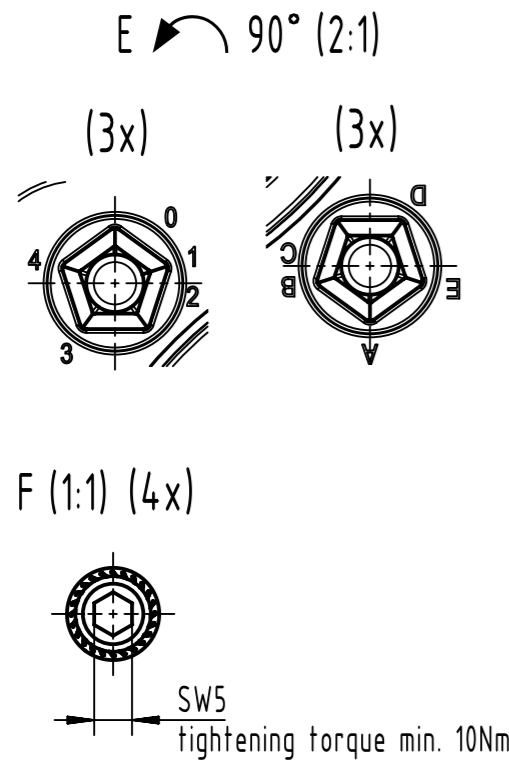
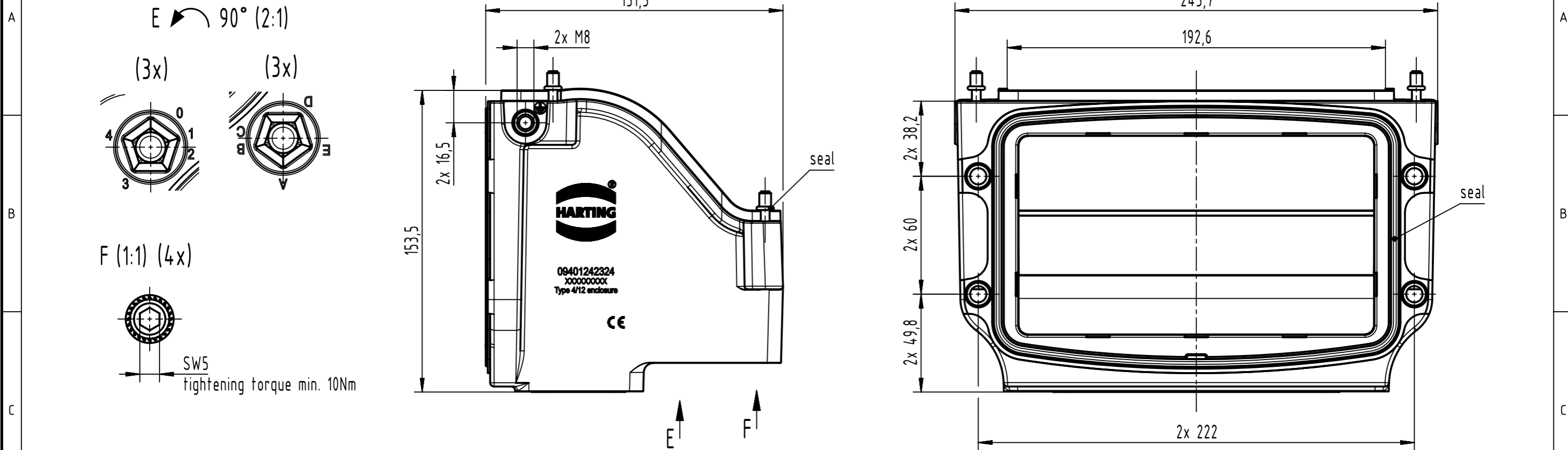
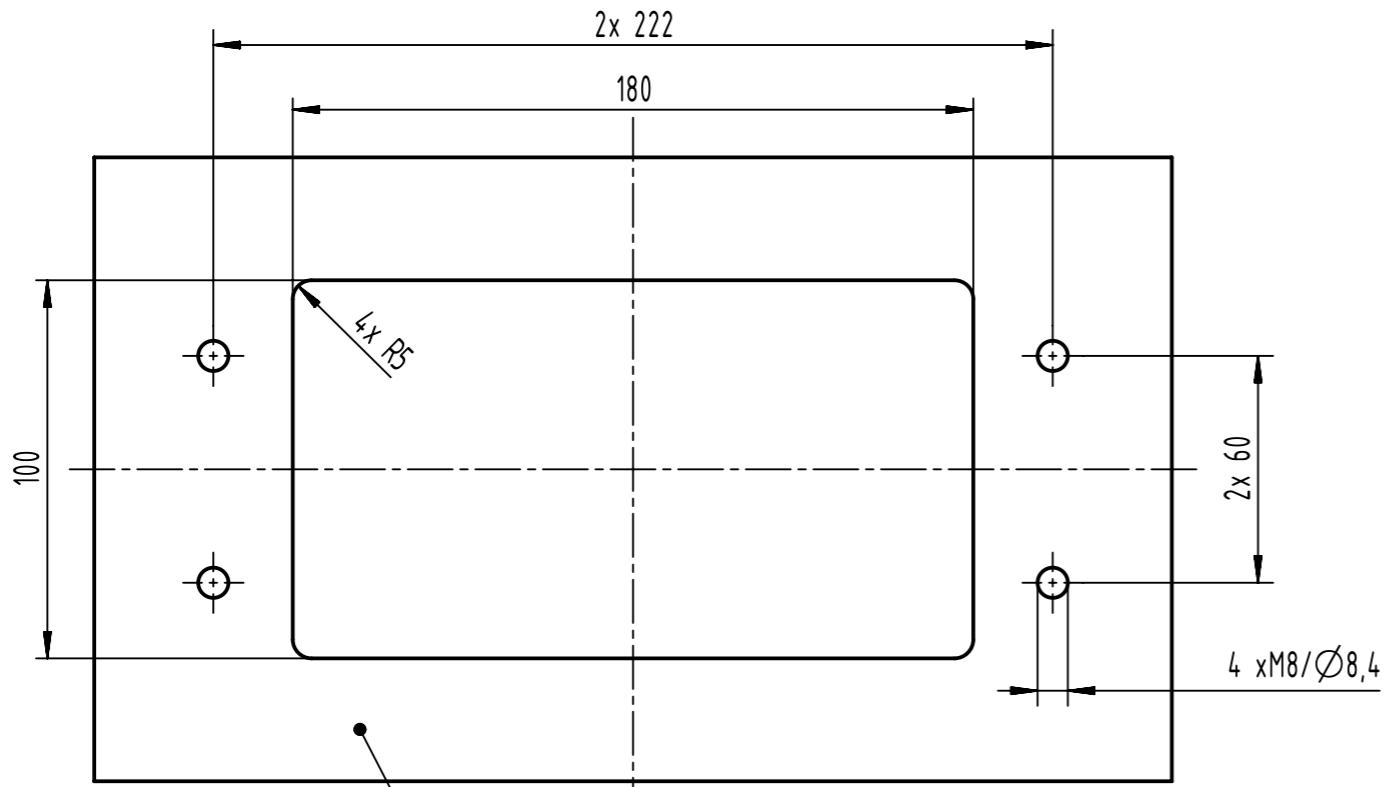


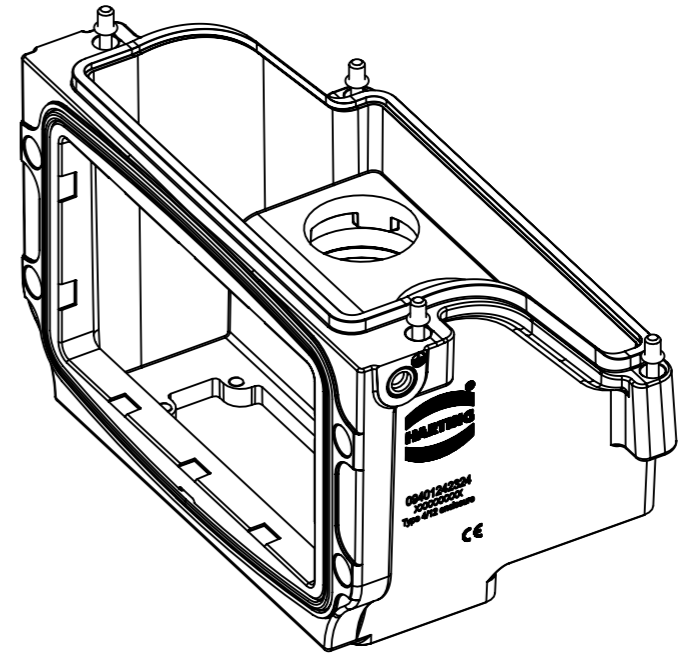
1 2 3 4 5 6 7 8



Panel cut out



Mounting area:  
 Waviness: ≤0,2mm (in combination with mounting frame: ≤0,5mm)  
 Roughness: ≤Ra16µm



	All Dimensions in mm Original Size DIN A3		Scale 1:2	Free size tol.		Ref.
	All rights reserved Department EL PD		Created by 407807	Inspected by DINGB	Standardisation ROEBEN	Date 2023-01-05
HARTING D-32339 Espelkamp		Title Han 24HPR VarioShell-HBMA-SCL-SP2-24HPR			Doc-Key / ECM-Nr. 100948386/UGD/001/B 50000232804	
		Type TB	Number 09 40 124 2324		Rev. B	Page 1/1

1 2 3 4 5 6 7 8