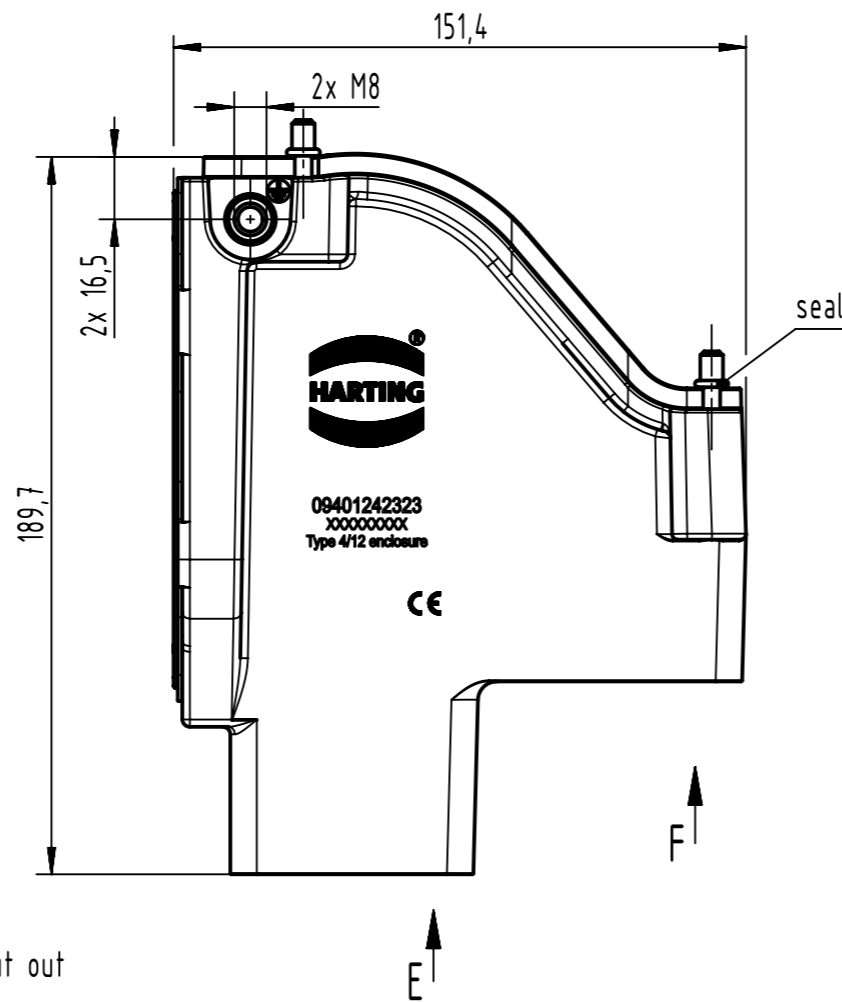


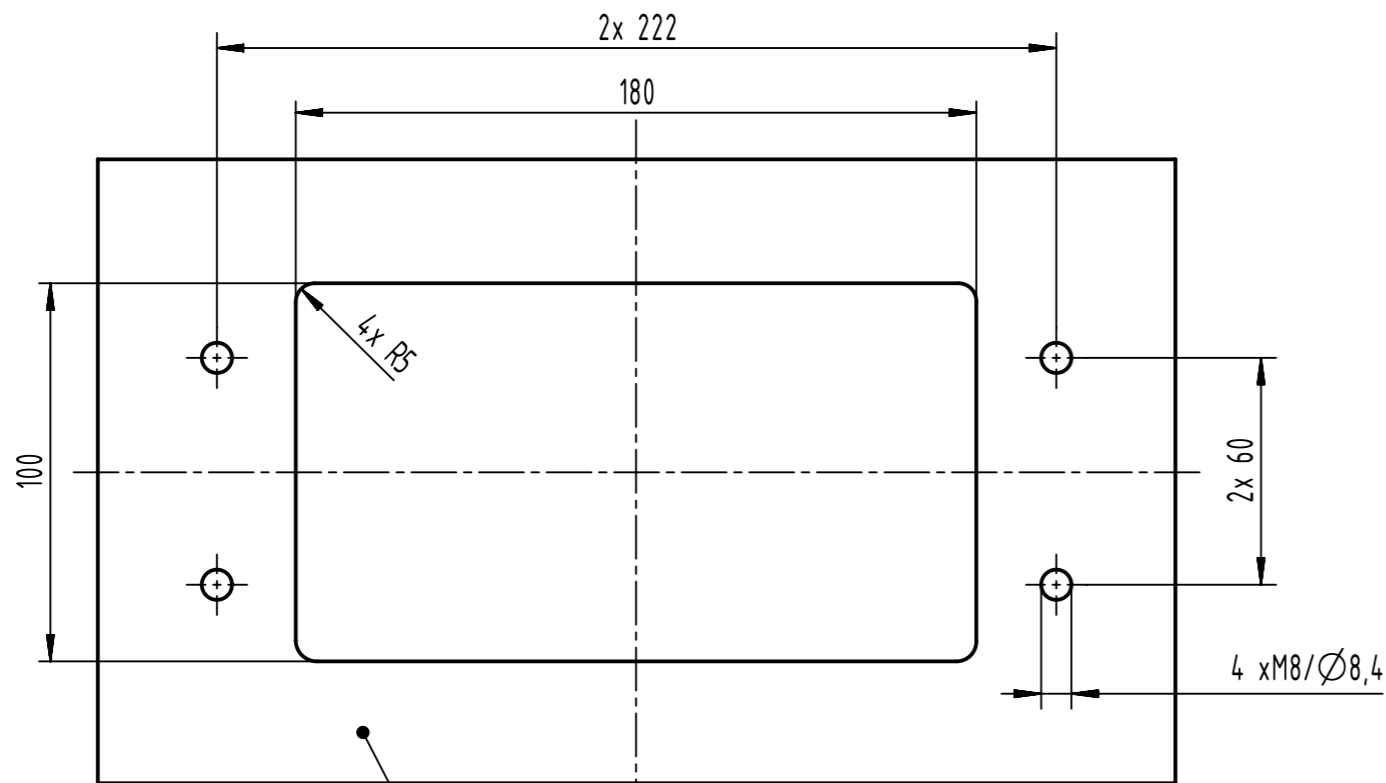
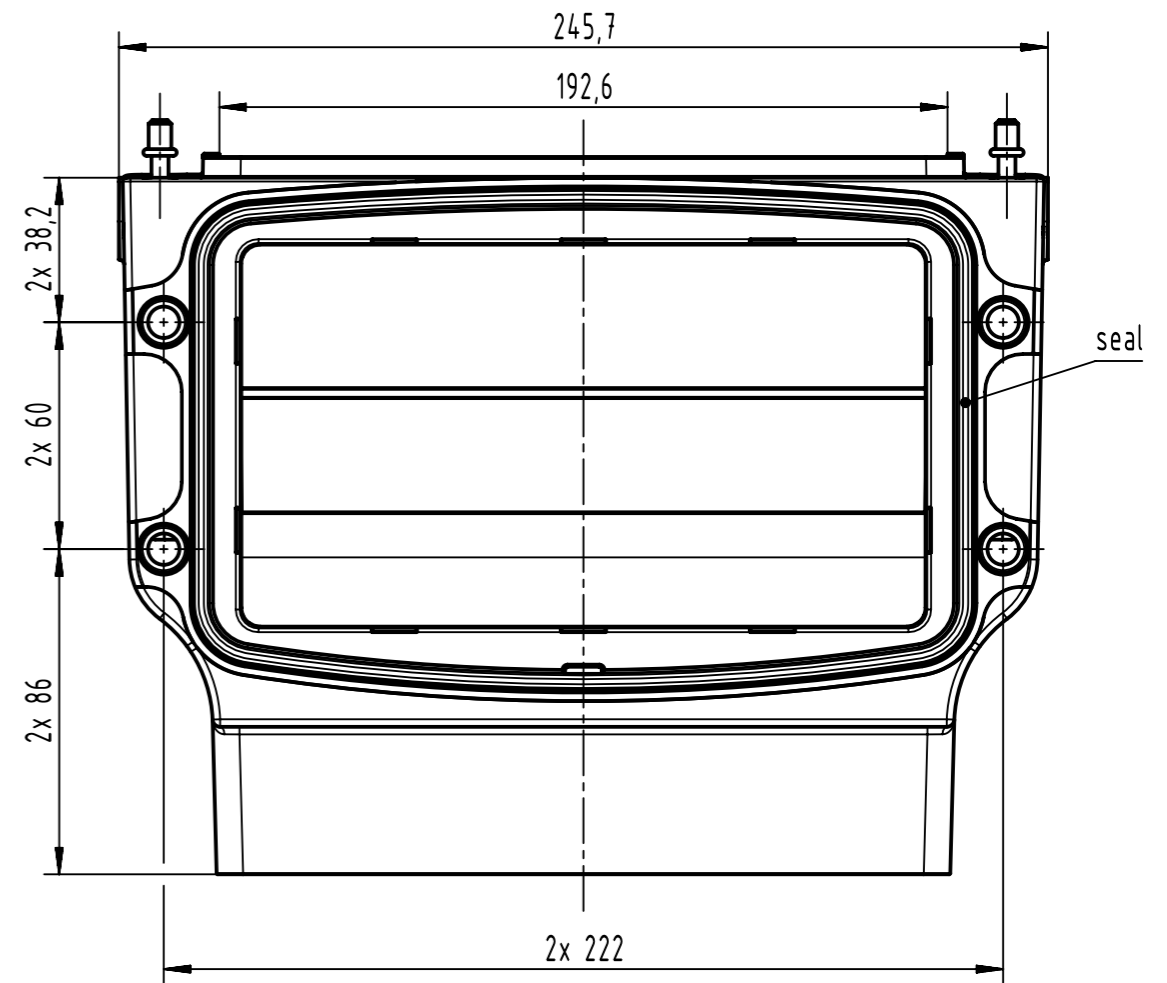
F (1:1) (4x)



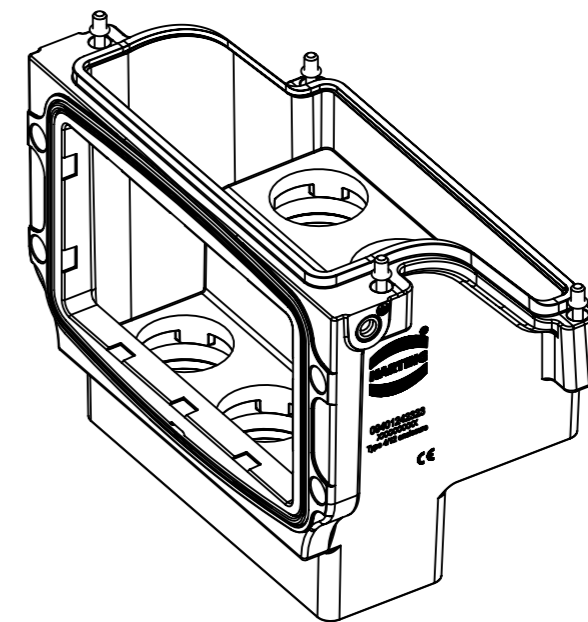
SW5  
tightening torque min. 10Nm



Panel cut out



Mounting area:  
Waviness:  $\leq 0,2\text{mm}$  (in combination with mounting frame:  $\leq 0,5\text{mm}$ )  
Roughness:  $\leq \text{Ra}16\mu\text{m}$



	All rights reserved	Created by 407807	Inspected by DINGB	Standardisation ROEBEN	Date 2023-01-05	State Final Release	Ref. Sub.
	Department EL PD	Title Han 24HPR VarioShell-HBMA-SCL-6xSP2				Doc-Key / ECM-Nr. 100948204/UGD/001/B 50000232804	
HARTING D-32339 Espelkamp	Type TB	Number 09 40 124 2323			Rev. B	Page 1/1	