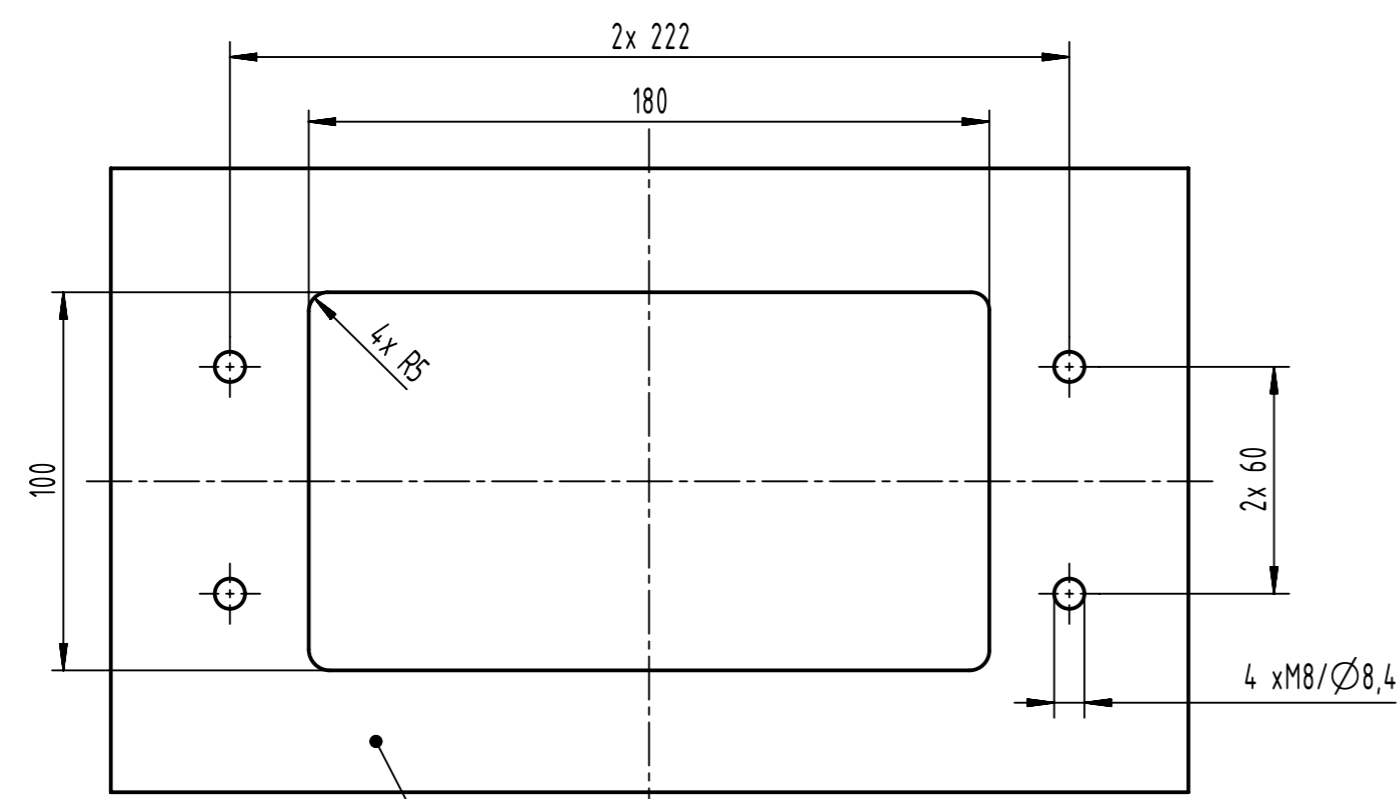
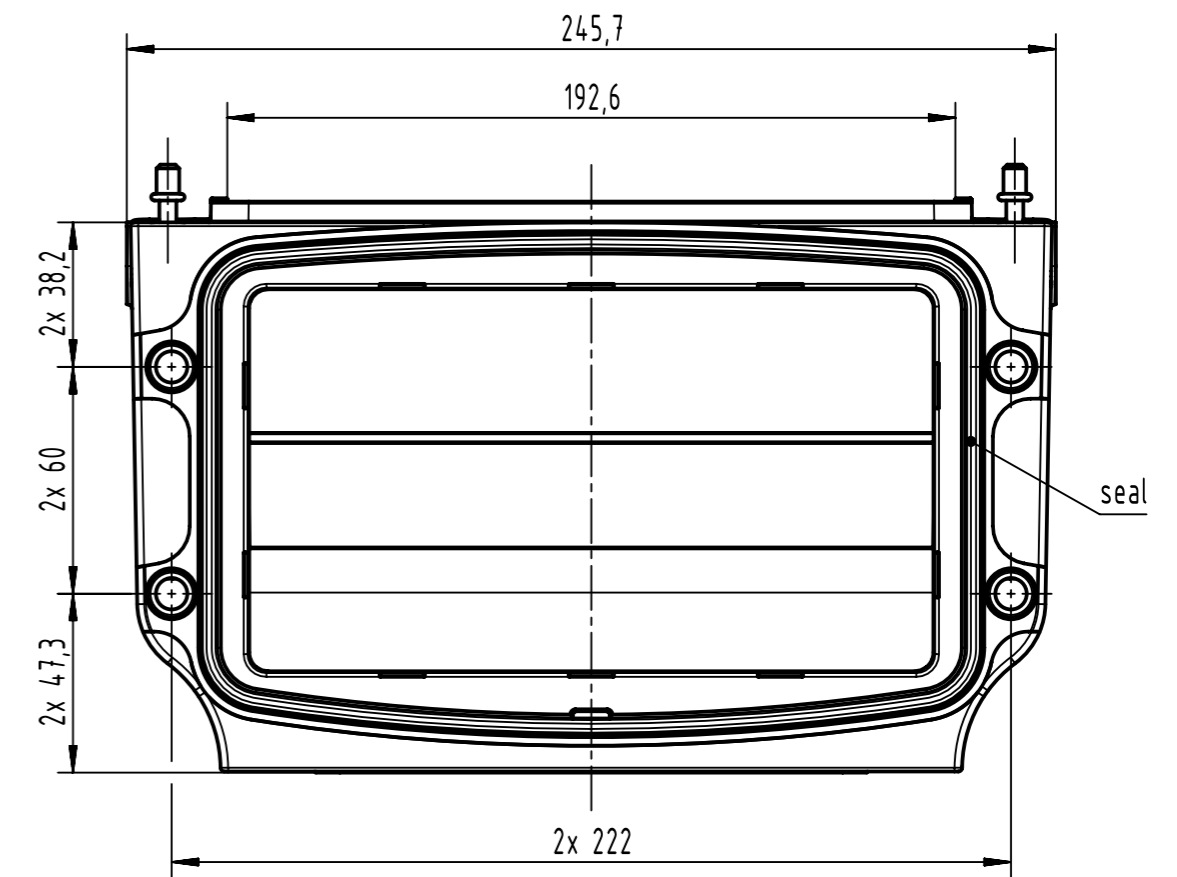
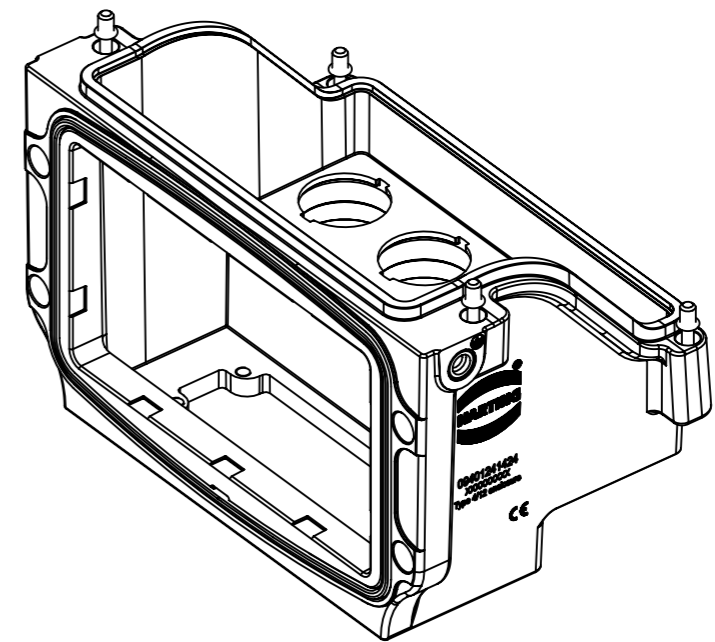


Panel cut out



Mounting area:
Waviness: $\leq 0,2\text{mm}$ (in combination with mounting frame: $\leq 0,5\text{mm}$)
Roughness: $\leq \text{Ra}16\mu\text{m}$



	All Dimensions in mm Original Size DIN A3		Scale 1:1	Free size tol.	Ref.
	All rights reserved Department EL PD		Created by 407807	Inspected by DINGB	Standardisation ROEBEN
HARTING D-32339 Espelkamp		Title Han 24HPR VarioShell-HBMA-SCL-SP1-24HPR			Date 2023-01-05
		Type TB	Number 09 40 124 1424	State Final Release	Doc-Key / ECM-Nr. 100948045/UGD/001/B 500000232804
				Rev. B	Page 1/1