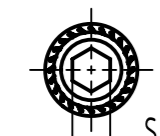
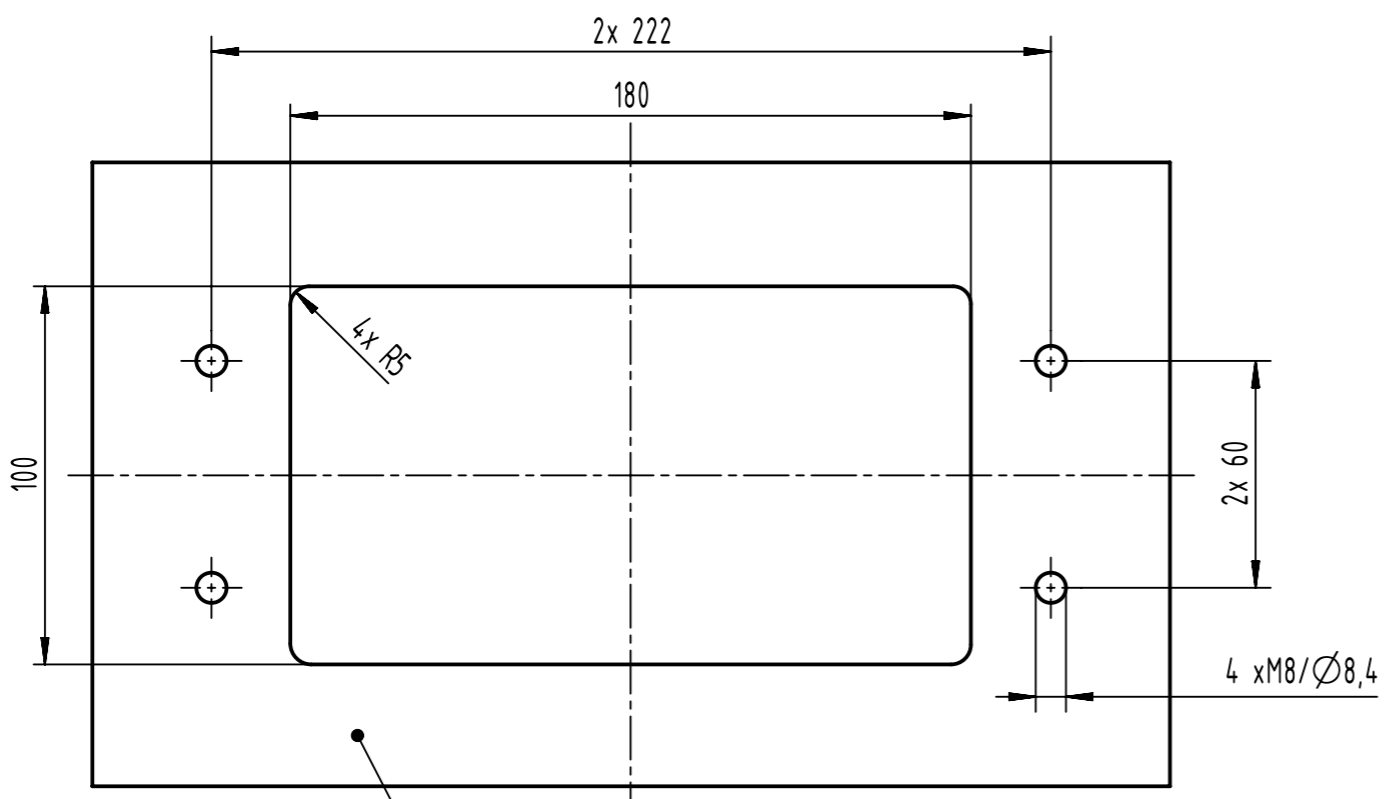
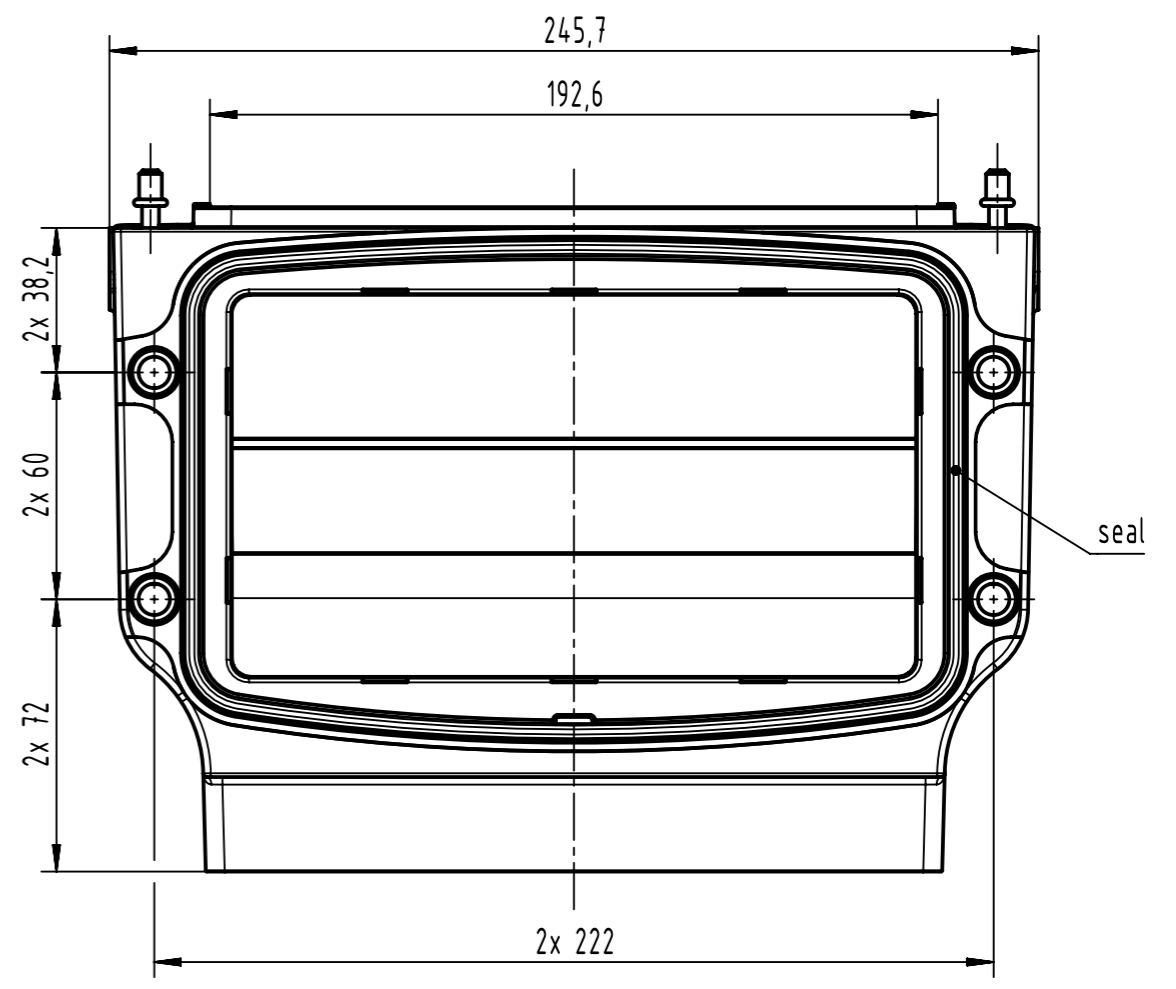
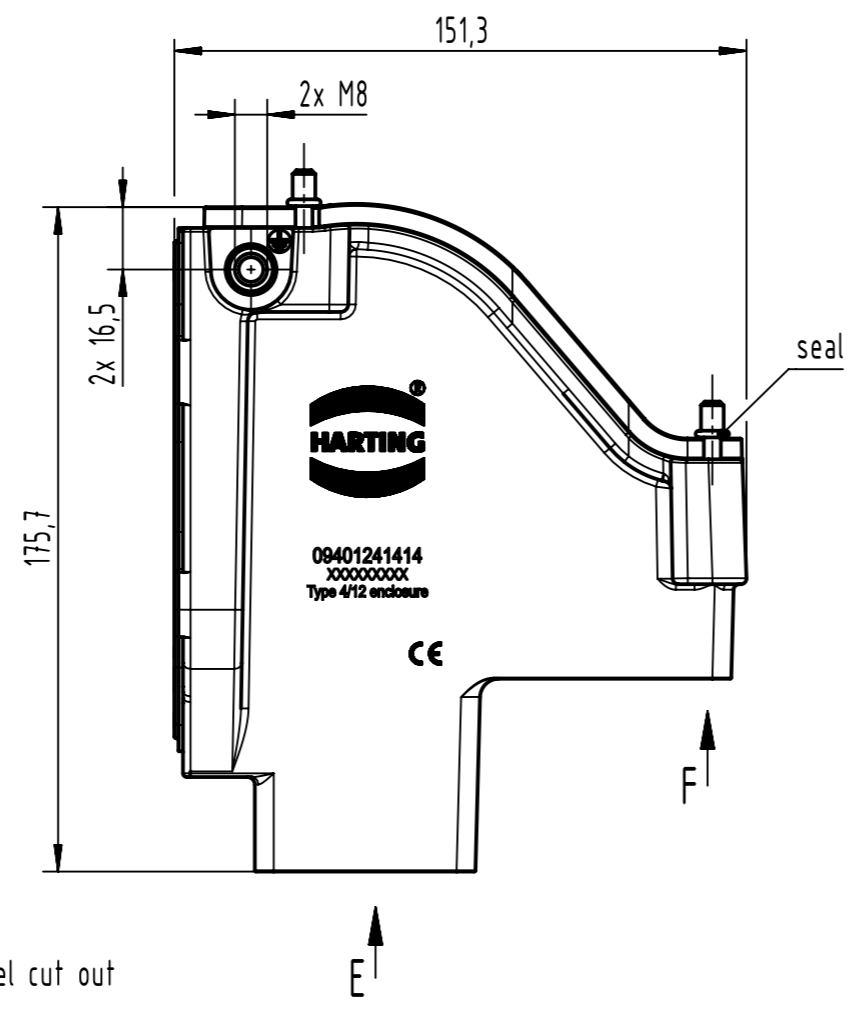


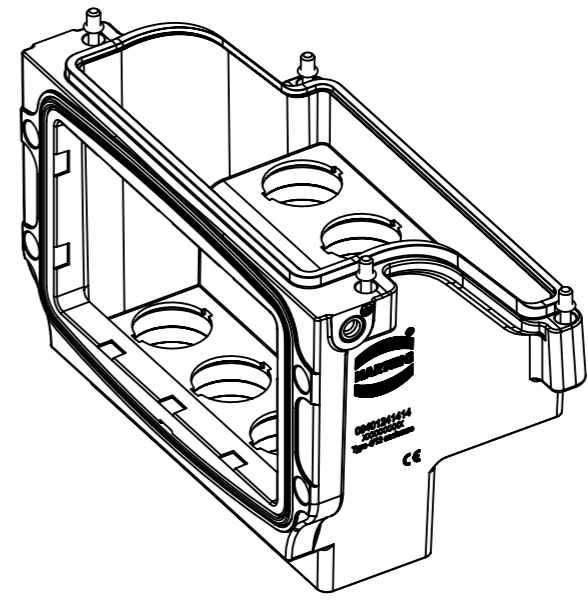
F (1:1) (4x)



tightening torque min. 10Nm



Mounting area:
Waviness: ≤ 0,2mm (in combination with mounting frame: ≤ 0,5mm)
Roughness: ≤ Ra16µm



	All Dimensions in mm Original Size DIN A3		Scale 1:2	Free size tol.	Ref.
	All rights reserved Department EL PD		Created by 407807	Inspected by DINGB	Standardisation ROEBEN
		Title Han 24HPR VarioShell-HBMA-SCL-8xSP1			Date 2023-01-05
		Type TB	Number 09 40 124 1414		State Final Release
					Doc-Key / ECM-Nr. 100947887/UGD/001/B 50000232804
					Rev. B
					Page 1/1