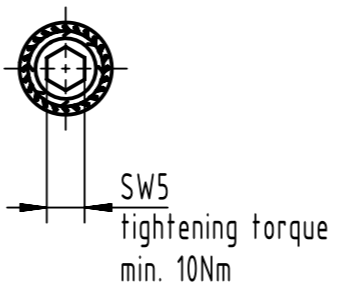
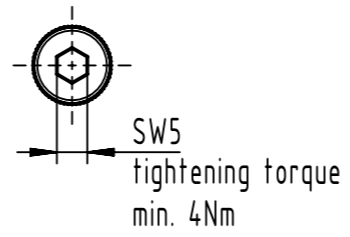


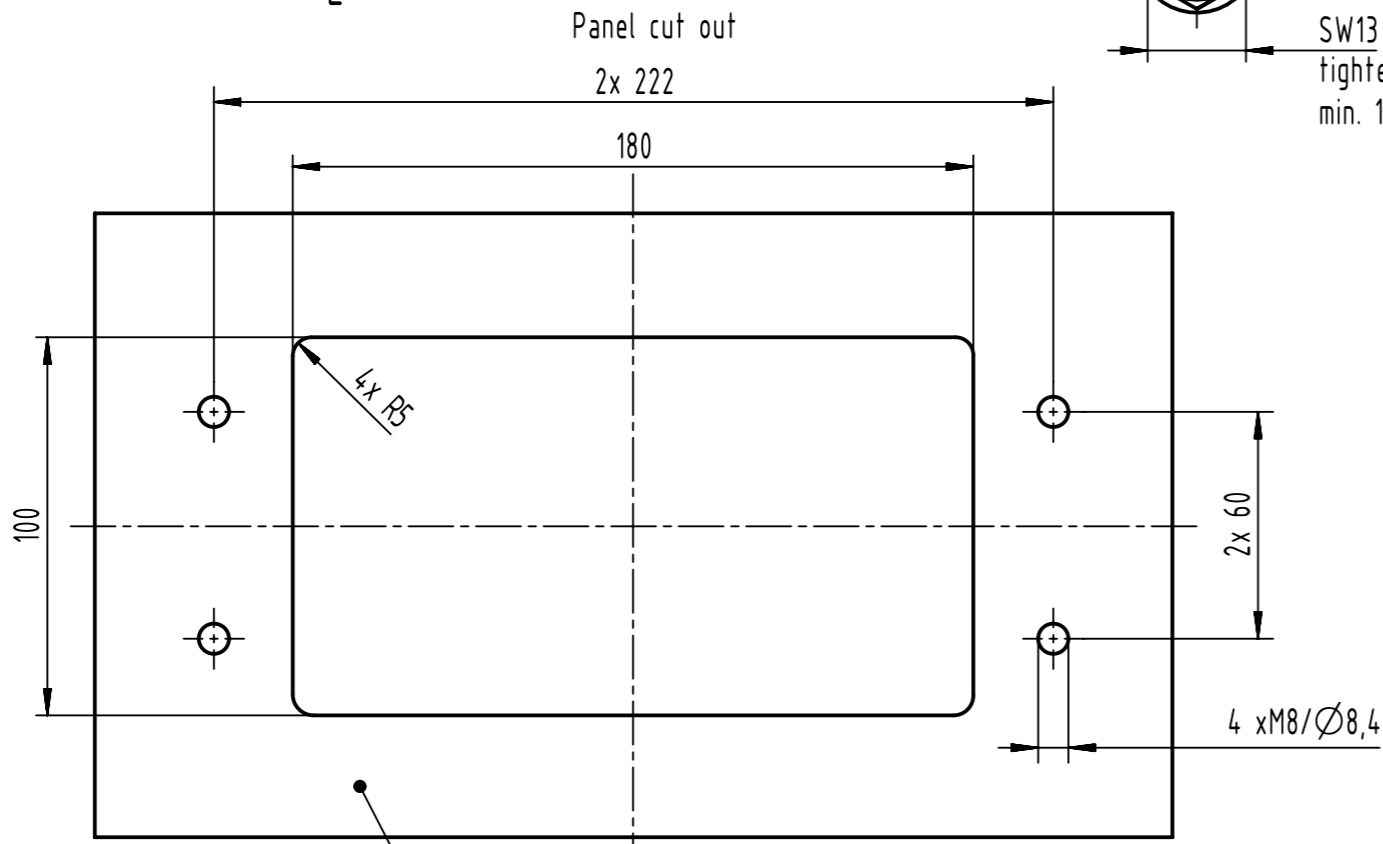
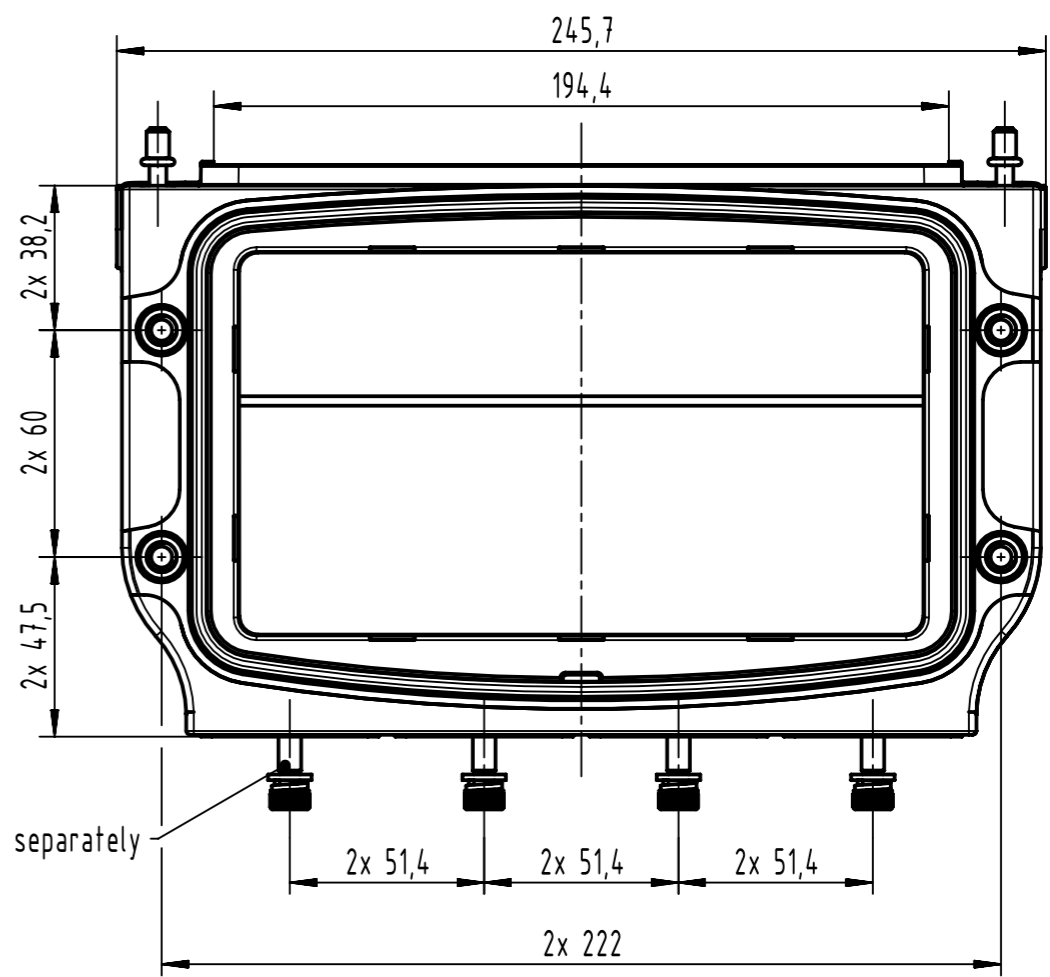
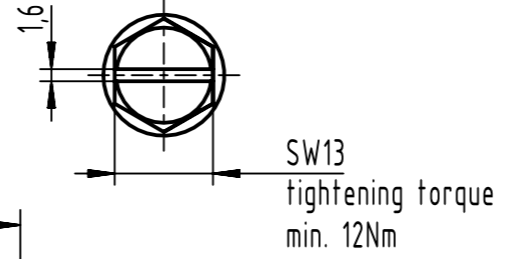
F (1:1) (4x)



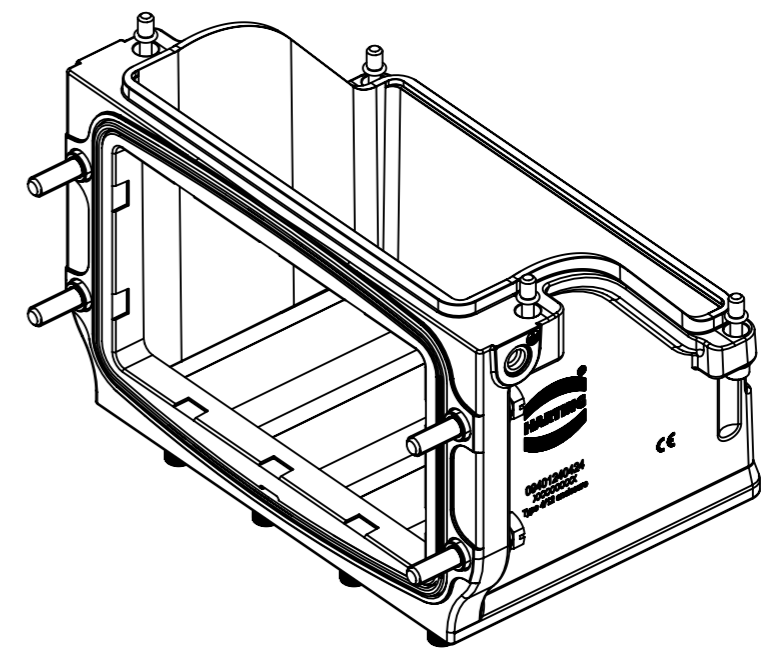
E (1:1) (8x)



H (1:1) (4x)



Mounting area:  
Waviness:  $\leq 0,2\text{mm}$  (in combination with mounting frame:  $\leq 0,5\text{mm}$ )  
Roughness:  $\leq \text{Ra}16\mu\text{m}$



	All Dimensions in mm Original Size DIN A3		Scale 1:2	Free size tol.		Ref.	
	All rights reserved		Created by 406869	Inspected by DINGB	Standardisation ROEBEN	Date 2023-02-07	State Final Release
Department EL PD		Title Han 24HPR VarioShell-HBMA-24HPR Compact				Doc-Key / ECM-Nr. 100975916/UGD/001/B 50000236901	
HARTING D-32339 Espelkamp		Type TB	Number 09 40 124 0424			Rev. B	Page 1/1