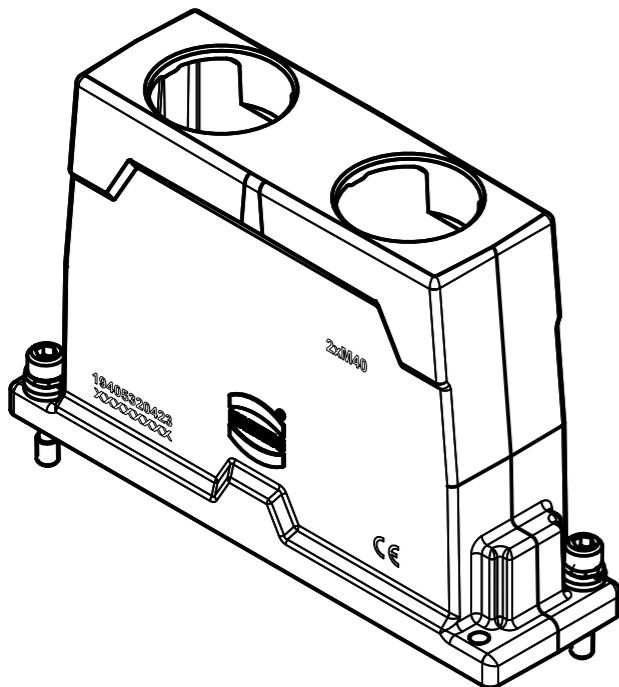


  
 (SW 5)  
 Tightening torque min. 4 Nm



|  |                                     |                       |                 |                                     |               |
|--|-------------------------------------|-----------------------|-----------------|-------------------------------------|---------------|
|  All Dimensions in mm<br>Original Size DIN A3 | Scale                               | Free size tol.        |                 | Ref.                                |               |
|  | 1:1                                 |                       |                 | Sub.                                |               |
|  All rights reserved<br>Department EL PD      | Created by                          | Inspected by          | Standardisation | Date                                | State         |
|  | 408146<br>Haridas                   | 402933<br>Krishnasamy | ROEBEN<br>Röben | 2023-09-28                          | Final Release |
| HARTING<br>D-32339 Espelkamp   | Title                               |                       |                 | Doc-Key / ECM-Nr.                   |               |
|  | Han L32 HPR-Compact-HTE2-HC-SCL-M40 |                       |                 | 101048499/UGD/000/A<br>500000254570 |               |
| Type   |                                     | Number                |                 | Rev.                                | Page          |
| TB   |                                     | 19 40 532 0423        |                 | A                                   | 1/1           |