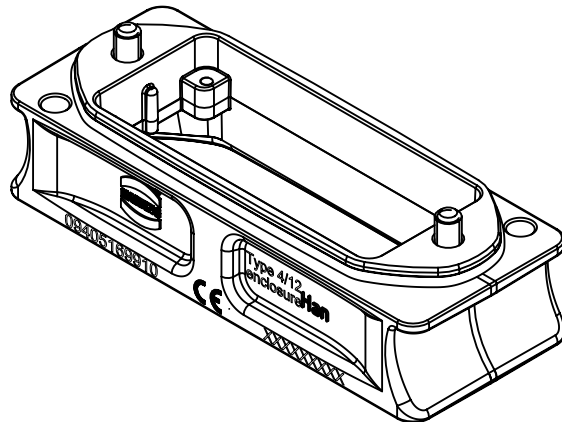


A
 SW 5
 tightening torque 4Nm

B-B
 enclosed separately

31,8
 26,8
 seal
 Type 4/12 enclosure Han
 09405169910 CE XXXXXXXXX

A
 100
 50 B B
 128,5



	All Dimensions in mm Original Size DIN A4		Scale 1:1	Free size tol.		Ref.	
						Sub.	
	All rights reserved		Created by WENE	Inspected by LUOK	Standardisation 302077	Date 2021-06-11	State Final Release
	Department EL PD		Title Han 16HPR-Compact-extender-for SCL				Doc-Key / ECM-Nr. 100875665/UGD/001/D 500000196643
HARTING D-32339 Espelkamp			Type TB	Number 09 40 516 9910		Rev. D	Page 1/1