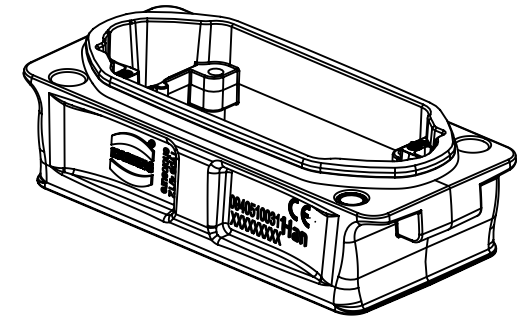
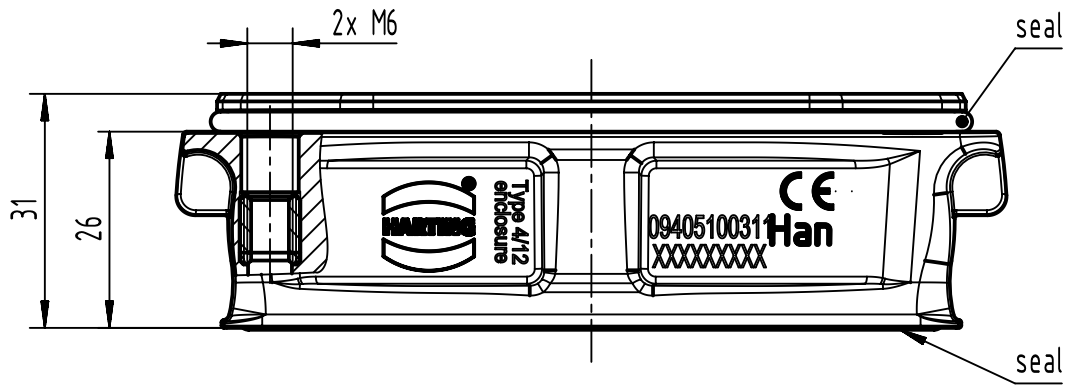
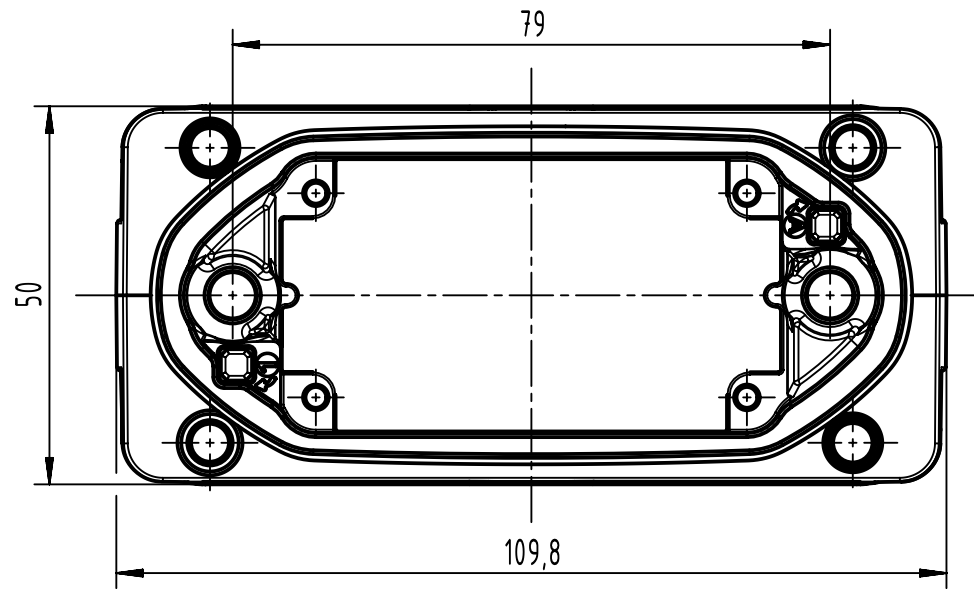


1 2 3 4 5 6

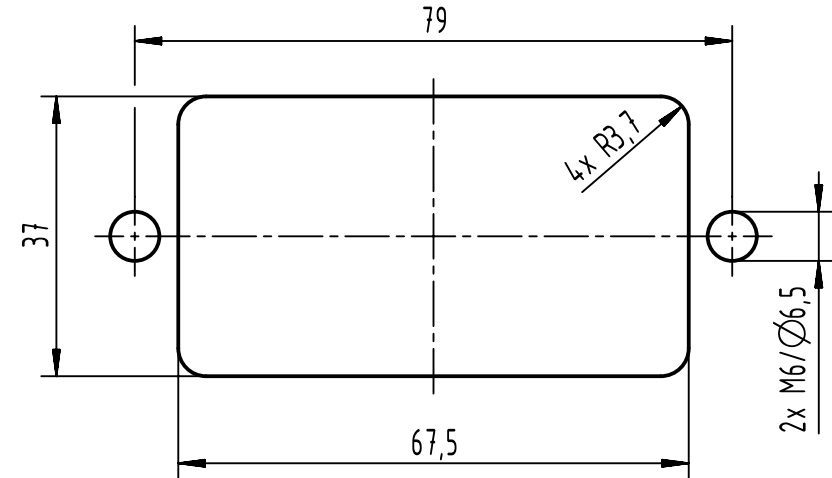
A



B




panel cut out



C

D

|   |  |  |                    |  |                      |  |                            |  |  |  |
|---|--|--|--------------------|--|----------------------|--|----------------------------|--|--|--|
|  | All Dimensions in mm<br>Original Size DIN A4 |  | Scale<br>1:1       |  | Free size tol.       |  | Ref.                       |  |  |  |
|   | All rights reserved<br>Department EL PD      |  | Created by<br>WENE |  | Inspected by<br>LUOK |  | Standardisation<br>RUETERA |  |  |  |
| HARTING Electric GmbH & Co. KG<br>D-32339 Espelkamp                                 |  | Title<br>Han 10HPR-Compact-HBM-for SCL |                    |  |                      |  | Date<br>2021-01-08         |  | State<br>Final Release                                   |  |
|   |  | Type<br>TB                             |                    |  |                      |  | Number<br>09 40 510 0311   |  | Doc-Key / ECM-Nr.<br>100873805/UGD/001/C<br>500000186845 |  |
|   |  |  |                    |  |                      |  | Rev.<br>C                  |  | Page<br>1/1  |  |