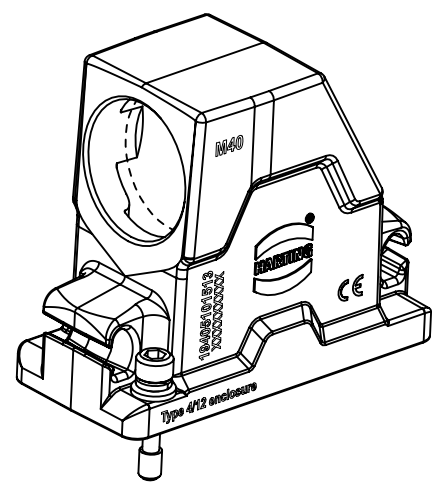
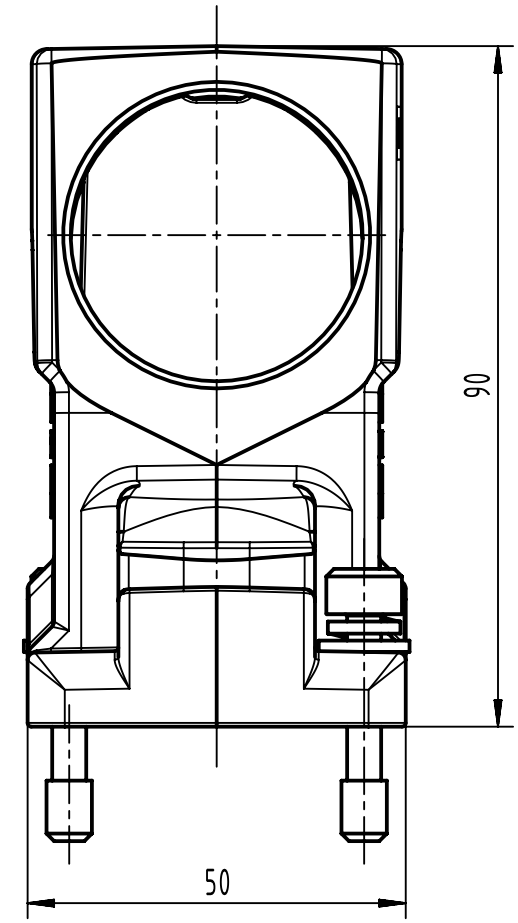
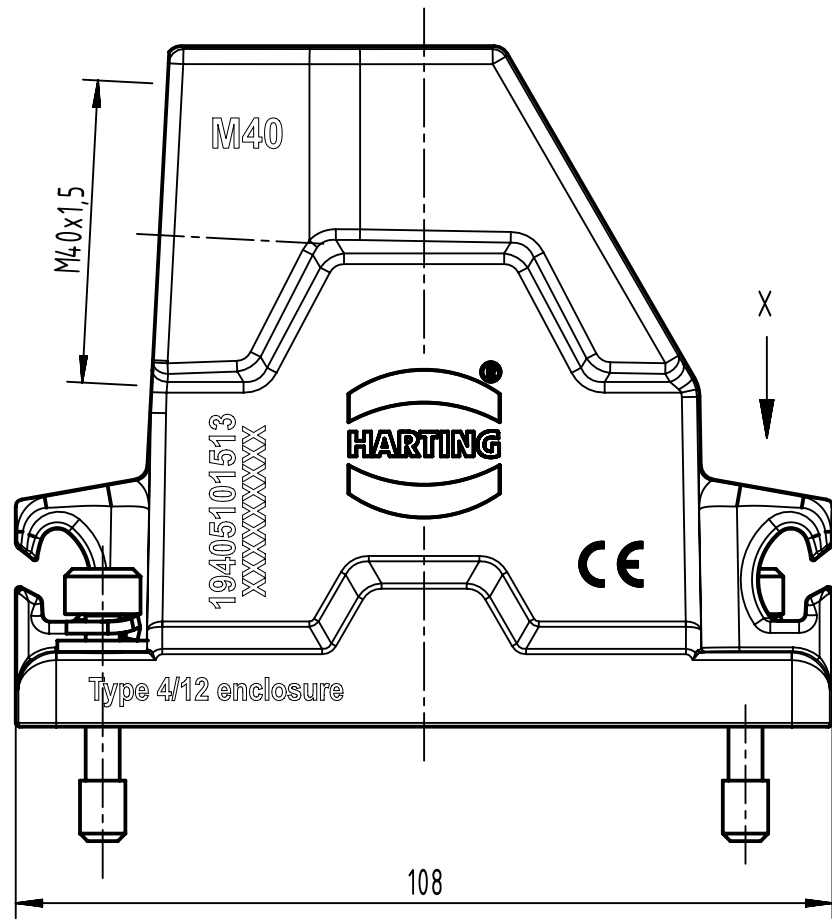
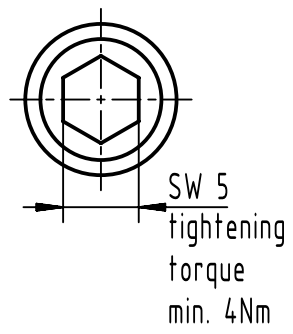
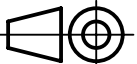



X (2:1) 2x



	All Dimensions in mm Original Size DIN A4		Scale 1:1	Free size tol.		Ref.
						Sub.
	All rights reserved		Created by WENE	Inspected by LUOK	Standardisation 302077	Date 2021-06-30
	Department EL PD		Title Han 10HPR-Compact-HSE-LC-SCL-M40			State Final Release
HARTING D-32339 Espelkamp			Type TB	Number 19 40 510 1513		Doc-Key / ECM-Nr. 100891914/UGD/001/C 500000197711
					Rev. C	Page 1/1