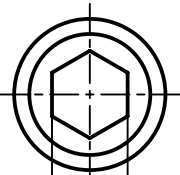
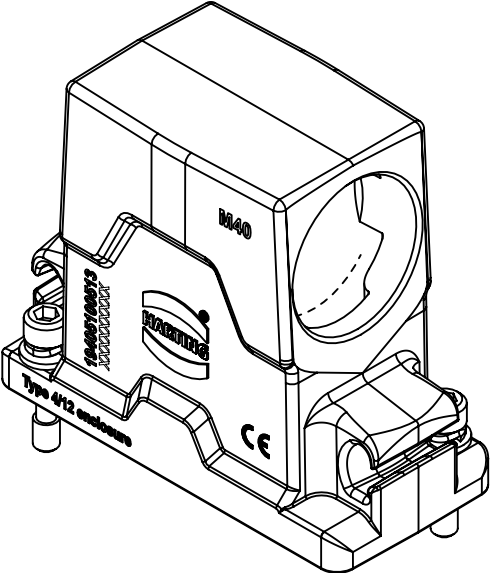
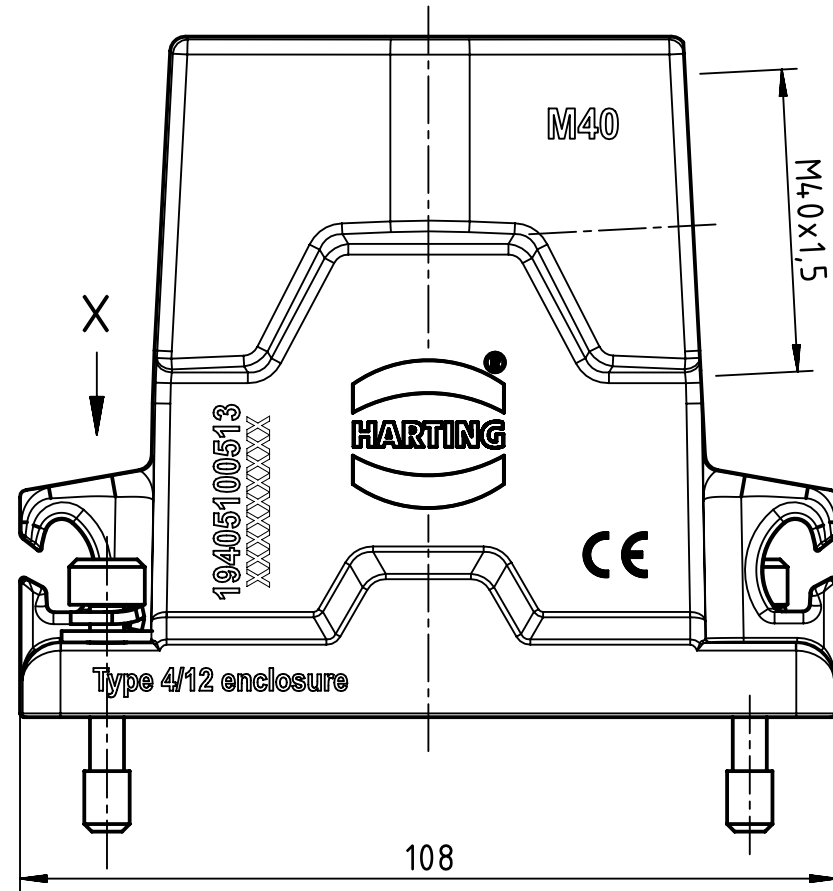


X (2:1)



SW 5
tightening torque
min. 4Nm



All Dimensions in mm Original Size DIN A4		Scale 1:1		Free size tol.		Ref.	
All rights reserved Department EL PD		Created by WENE	Inspected by LUOK	Standardisation 302077	Date 2021-06-04	State Final Release	
HARTING D-32339 Espelkamp		Title Han 10HPR-Compact-HSE-HC-SCL-M40				Doc-Key / ECM-Nr. 100891609/UGD/001/C 500000196200	
		Type TB	Number 19 40 510 0513			Rev. C	Page 1/1