

A

B

C

D

1

2

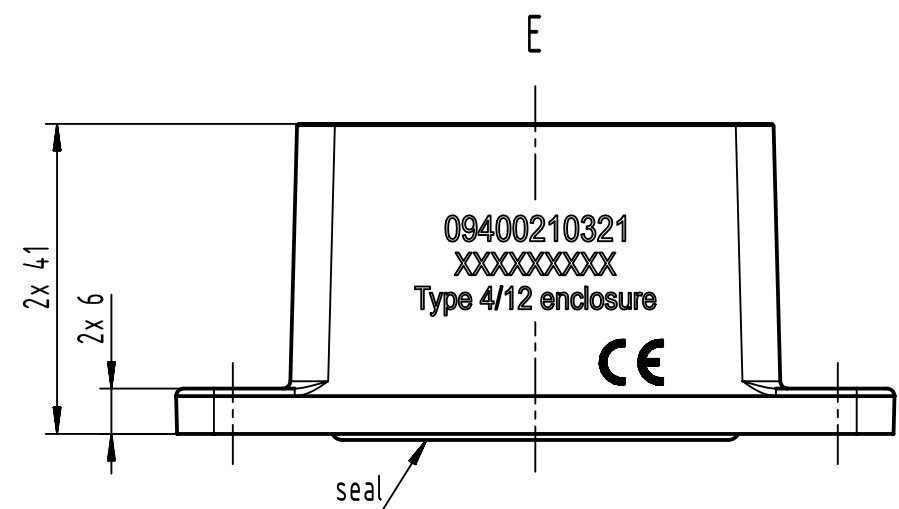
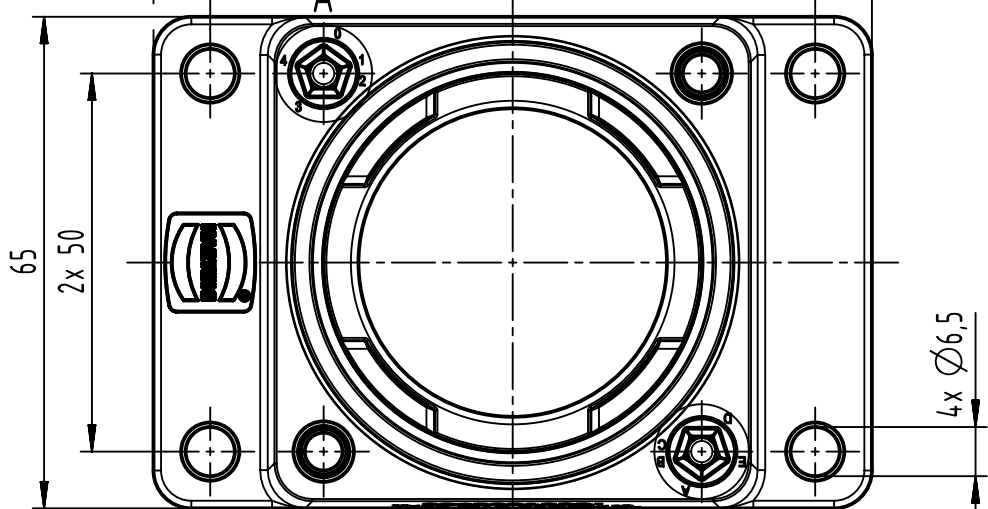
3

4

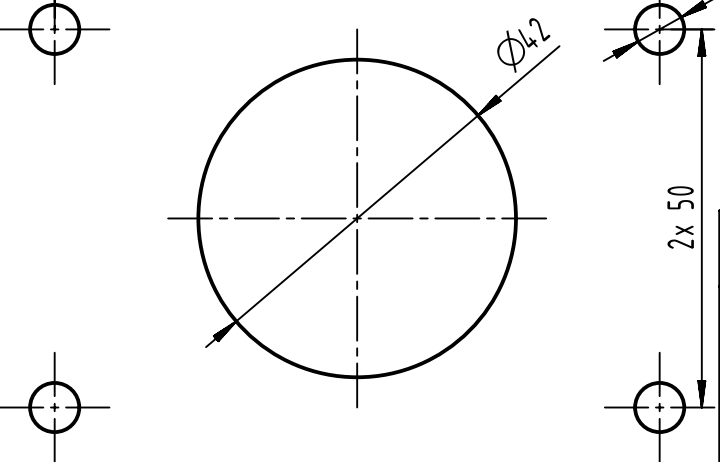
5

6

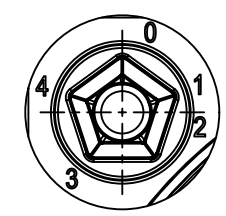
95
2x 80



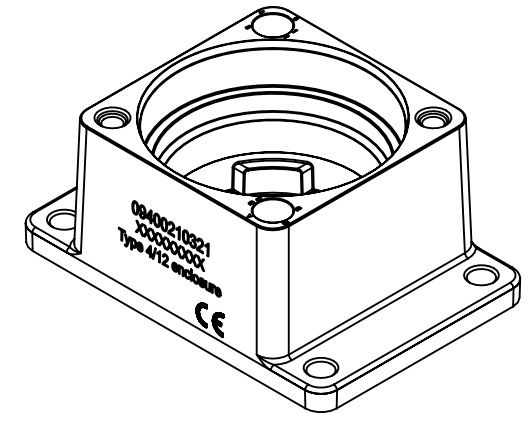
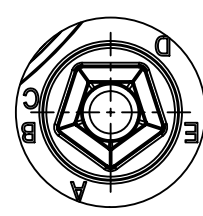
panel cut-out
2x 80



A (2:1)



B (2:1)



	All rights reserved Department EL PD	All Dimensions in mm Original Size DIN A4		Scale 1:1	Free size tol.	Ref.
		HARTING D-32339 Espelkamp	Created by 408256	Inspected by DINGB	Standardisation ROEBEN	Date 2022-12-16
Title Han HPR SP2-HBM-SCL				Type TB		Doc-Key / ECM-Nr. 100963827/UGD/001/B 500000232524
Number 09 40 021 0321				Rev. B		Page 1/1