

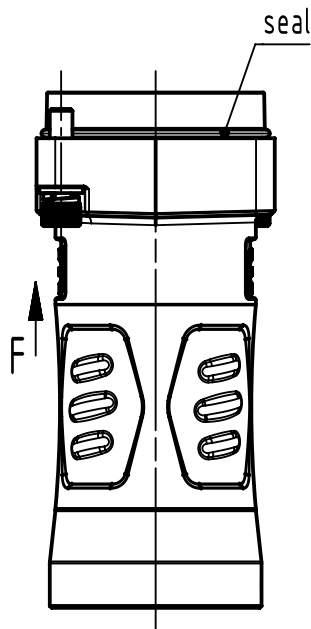
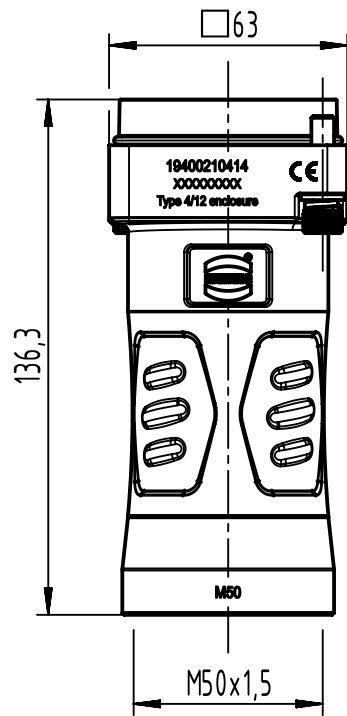
1 2 3 4 5 6

A

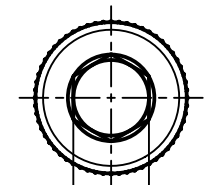
B

C

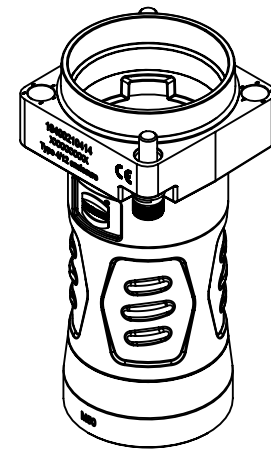
D



F (2:1) (2x)

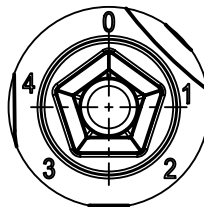
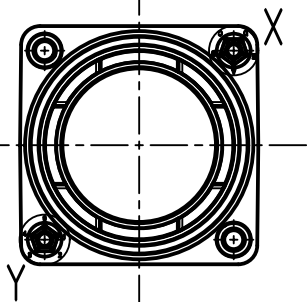


SW5  
tightening torque 6Nm



X (2:1)

Y (2:1)



	All Dimensions in mm Original Size DIN A4		Scale 1:2	Free size tol.		Ref.
						Sub.
	All rights reserved		Created by 407807	Inspected by DINGB	Standardisation ROEBEN	Date 2023-05-19
	Department EL PD		Title Han HPR SP2-HTE-SCL-M50			State Final Release
HARTING D-32339 Espelkamp		Type TB	Number 19 40 021 0414			Doc-Key / ECM-Nr. 100960727/UGD/001/C 500000244387
					Rev. C	Page 1/1