

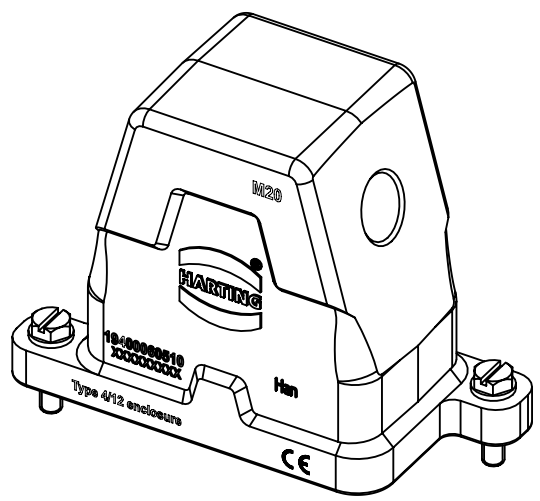
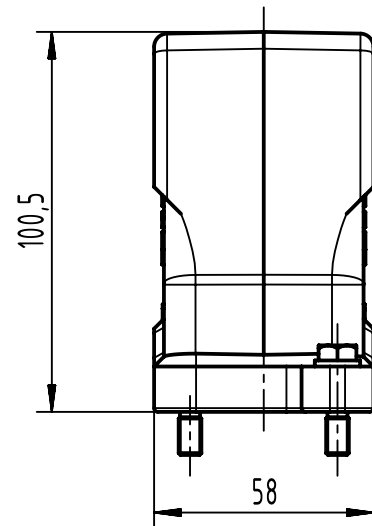
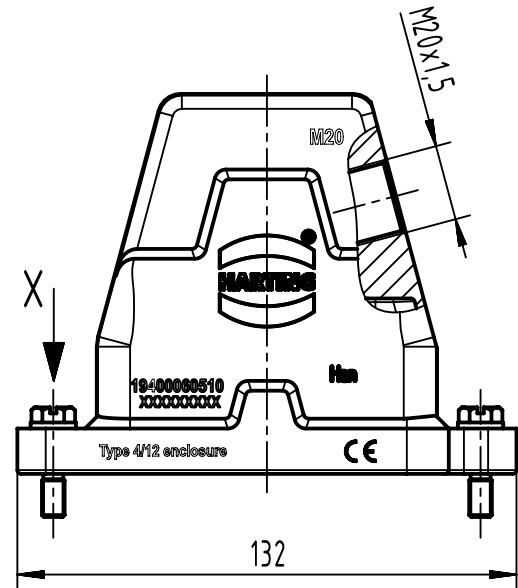
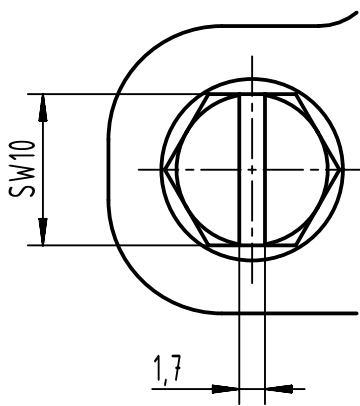
A

B

C

D

X (2:1)



	All rights reserved Department EL PD	All Dimensions in mm Original Size DIN A4		Scale 1:2	Free size tol.	Ref. Sub.
		Created by SPRENB	Inspected by GERB	Standardisation	Date 2021-09-10	State Final Release
HARTING D-32339 Espelkamp		Title Han 6HPR-HSE-SCL-M20			Doc-Key / ECM-Nr. 100208607/UGD/004/D 500000201415	
		Type TB	Number 19 40 006 0510		Rev. D	Page 1/1