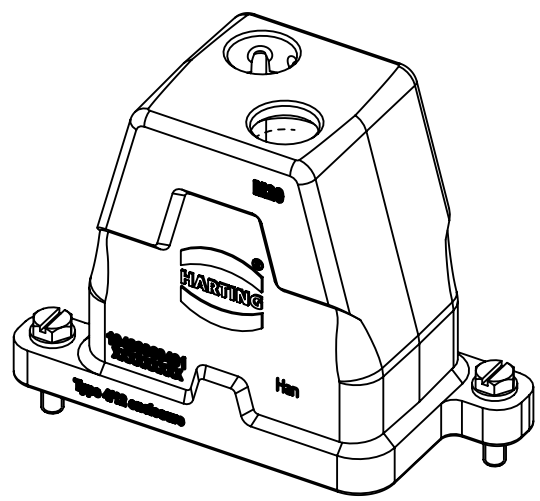
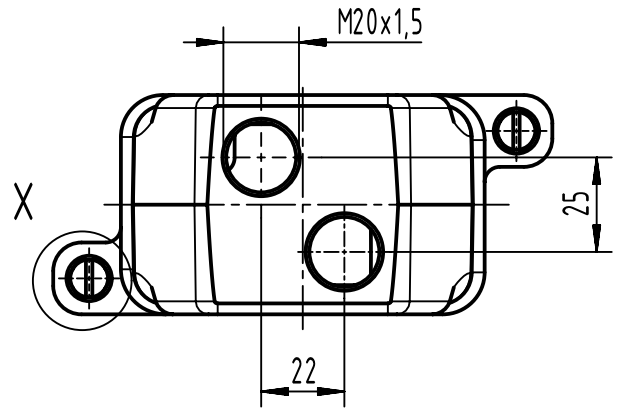
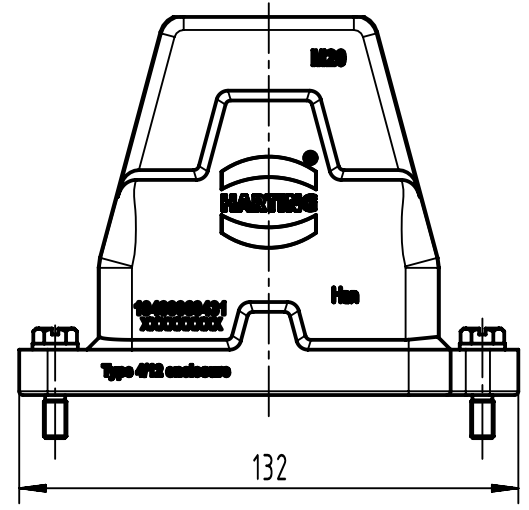
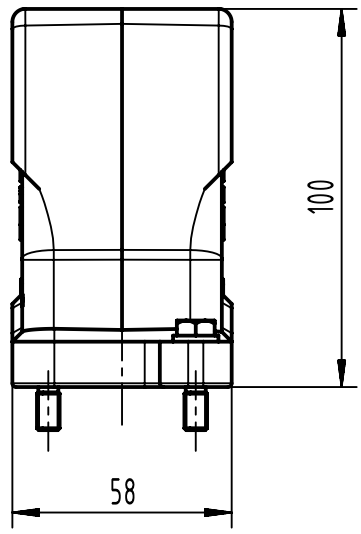
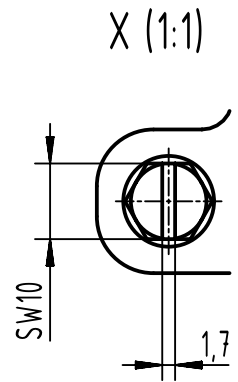


1 2 3 4 5 6

A
B
C
D



	All Dimensions in mm Original Size DIN A4		Scale 1:2	Free size tol.		Ref.	
						Sub.	
	All rights reserved		Created by SPRENB	Inspected by GERB	Standardisation	Date 2021-09-10	
	Department EL PD					State Final Release	
HARTING			Title Han 6HPR-HTE2-SCL-M20			Doc-Key / ECM-Nr. 100873033/UGD/004/B 500000201415	
D-32339 Espelkamp			Type TB	Number 19 40 006 0431			
						Rev. B	Page 1/1