

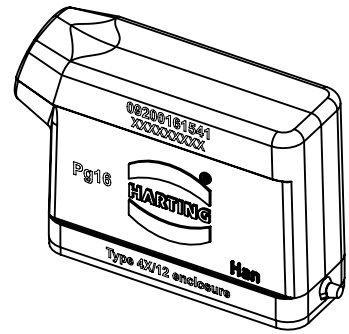
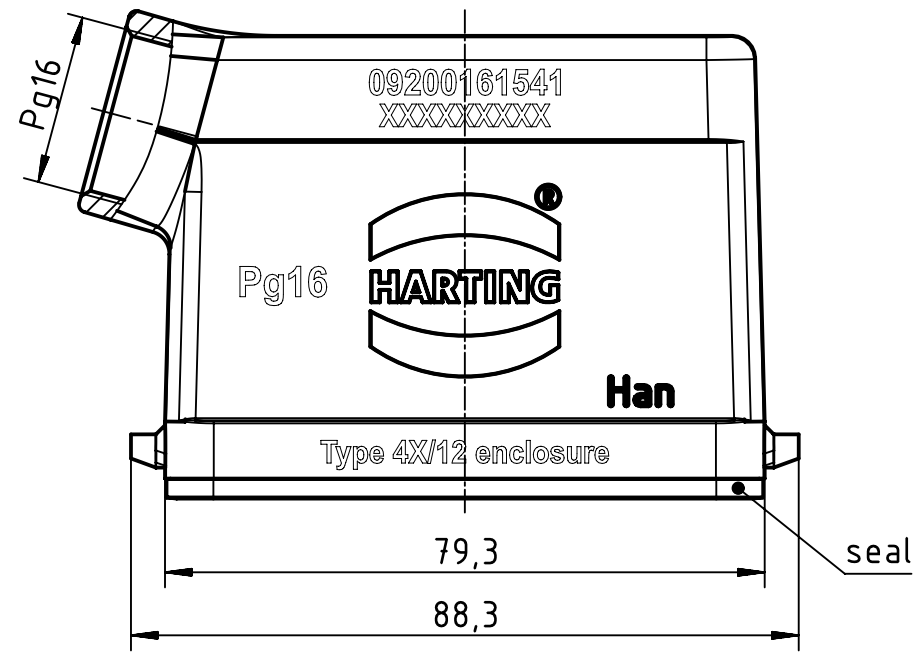
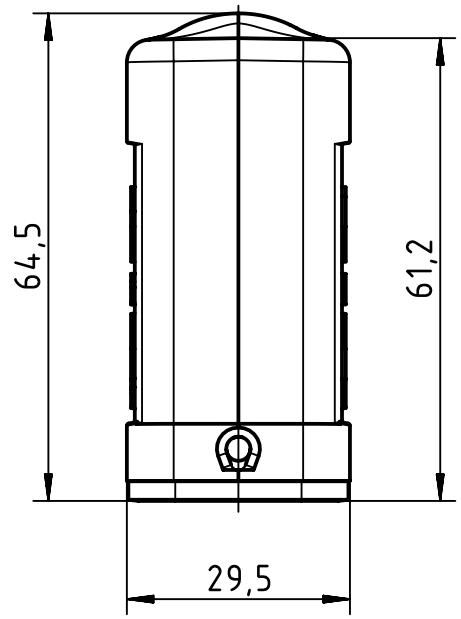
1 2 3 4 5 6

A

B

C

D



	All Dimensions in mm Original Size DIN A4		Scale 1:1	Free size tol.		Ref.		
						Sub.		
	All rights reserved		Created by SPRENB	Inspected by GERB	Standardisation GARSKE	Date 2019-11-26	State Final Release	
	Department EL PD		Title Han 16A-GS-16				Doc-Key / ECM-Nr. 100120073/UGD/005/D 500000161006	
HARTING Electric GmbH & Co. KG D-32339 Espelkamp			Type TB	Number 09 20 016 1541			Rev. D	Page 1/1