

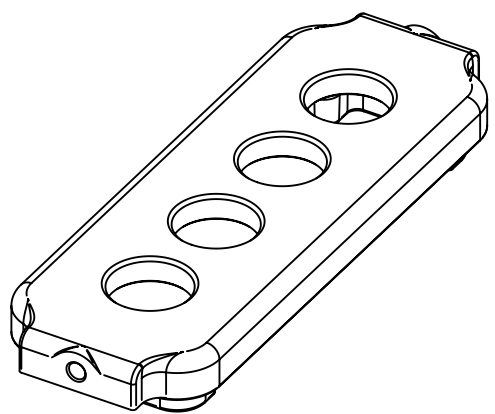
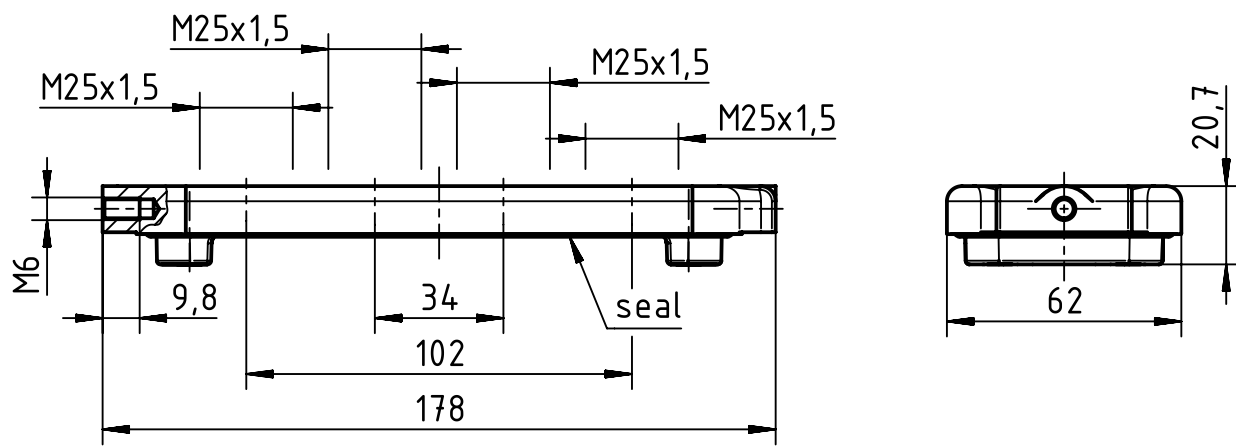
1 2 3 4 5 6


A

B

C

D



	All rights reserved Department EL PD - DE		Created by HOLLERT	Inspected by SCHLEGEL	Standardisation TIEMANNA	Date 2014-03-27	State Final Release	
	HARTING Electric GmbH & Co. KG D-32339 Espelkamp		Title Han 24 HPR EasyCon Cover 4XM25				Doc-Key / ECM-Nr. 100196800/UGD/004/B 500000072931	
			Type TB	Number 19 40 024 9902			Rev. B	Page 1/1