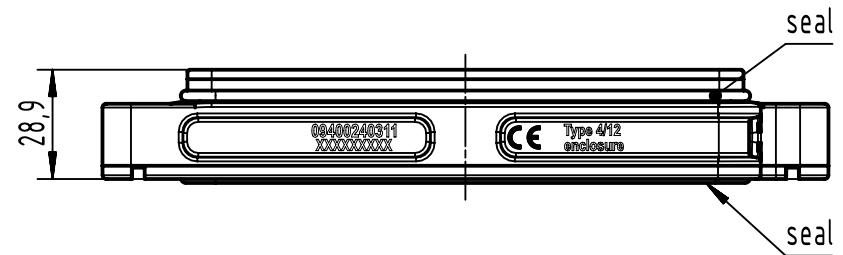
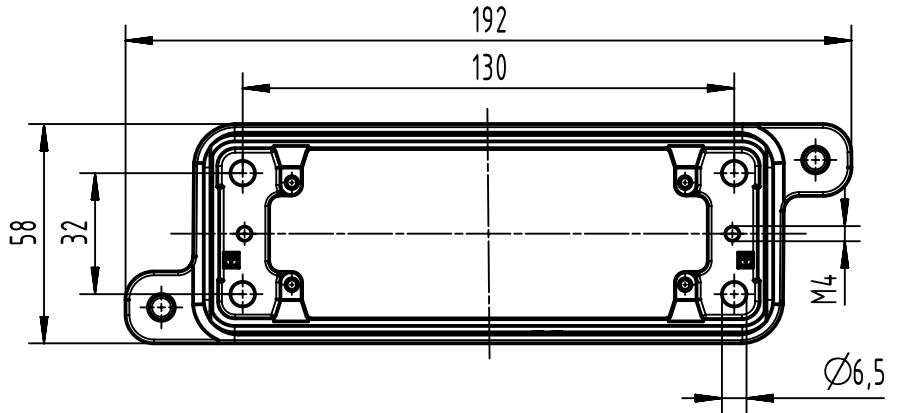


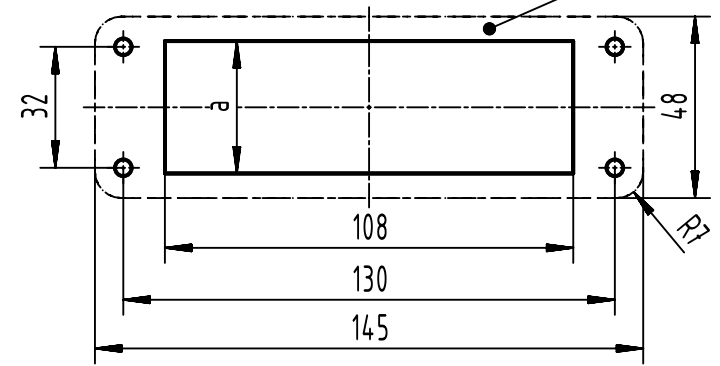
A



B



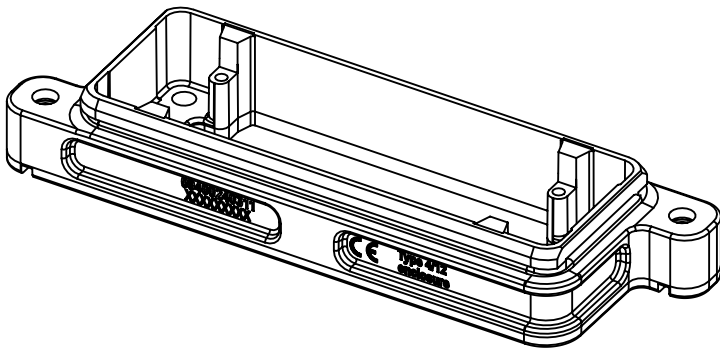
panel cut out for EMC features, conductive surface



C

application	a
standard insert	35
HC-Modular 650	44,5

D



	All Dimensions in mm Original Size DIN A4		Scale 1:2	Free size tol.		Ref.		
	All rights reserved		Created by SPREENB	Inspected by SUNDERMEIER	Standardisation 302077	Date 2020-11-27	State Final Release	
Department EL PD		Title Han 24HPR Base Panel Screw locking					Doc-Key / ECM-Nr. 100217699/UGD/004/E 500000182491	
HARTING Electric GmbH & Co. KG D-32339 Espelkamp		Type TB	Number 09 40 024 0311			Rev. E	Page 1/1	