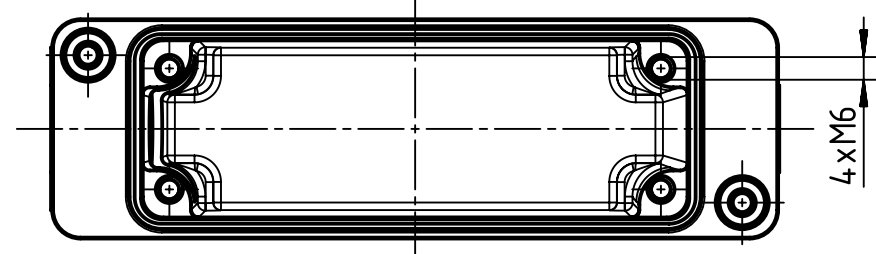
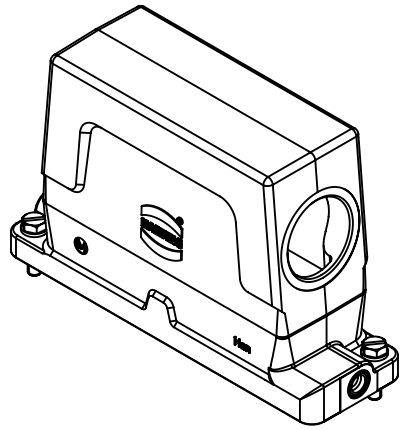
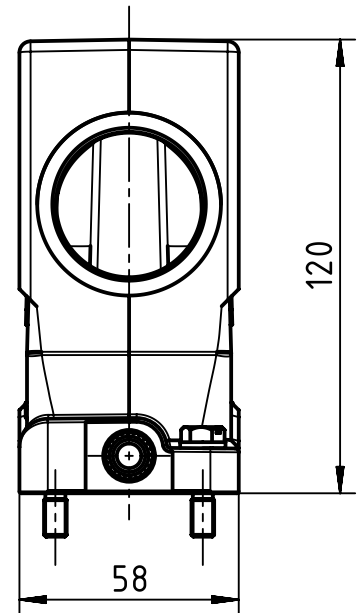
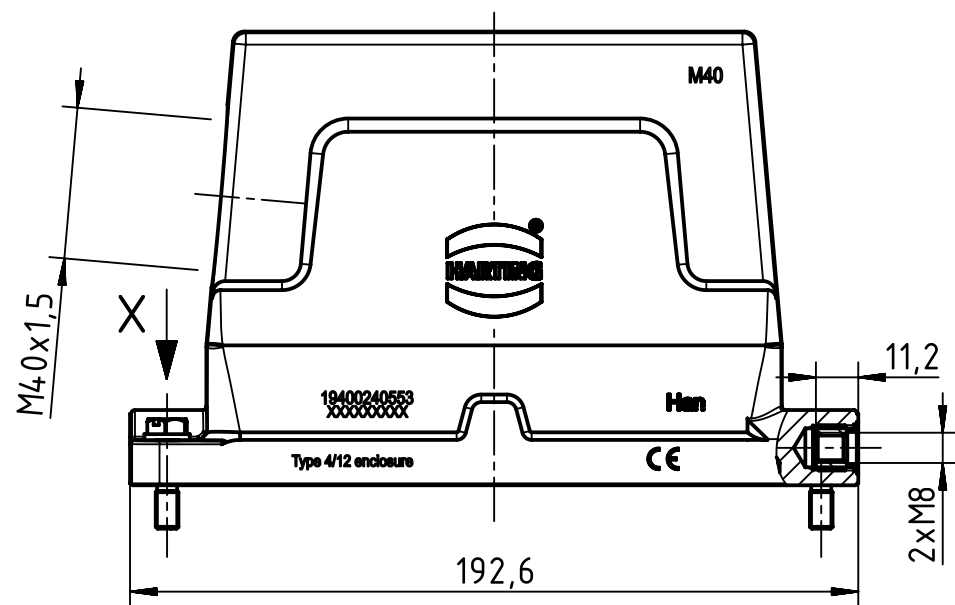
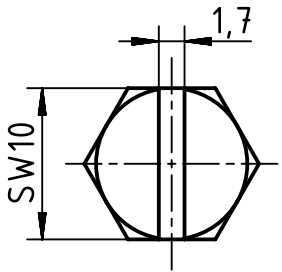


1 2 3 4 5 6

A
B
C
D



X (2:1)



	All Dimensions in mm Original Size DIN A4		Scale 1:2	Free size tol.		Ref.	
			Created by LONGL	Inspected by HEW	Standardisation TIEMANNA	Sub.	
		All rights reserved Department EL PD	Date 2019-12-31		State Final Release		
HARTING Electric GmbH & Co. KG D-32339 Espelkamp		Title Han 24HPR enlarged-HSE-SCL-M40-FE				Doc-Key / ECM-Nr. 100794331/UGD/001/C 500000162848	
		Type TB	Number 19 40 024 0553			Rev. C	Page 1/1