

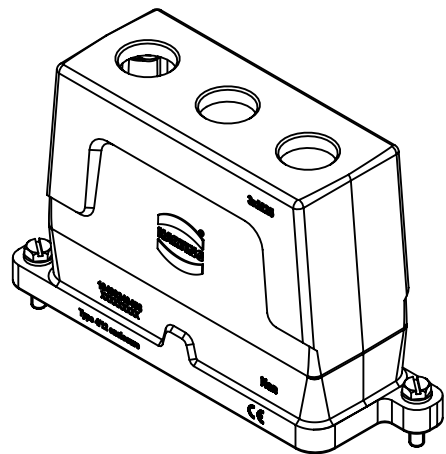
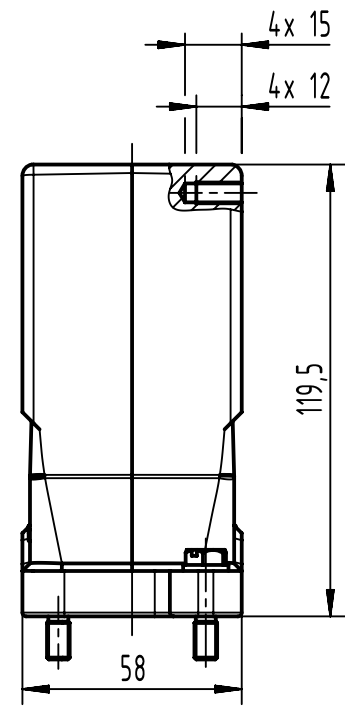
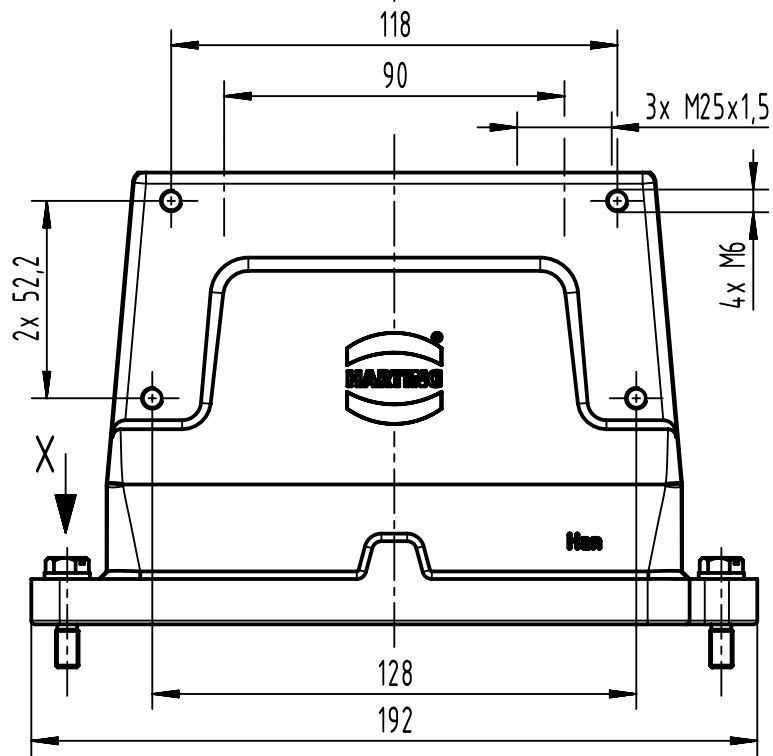
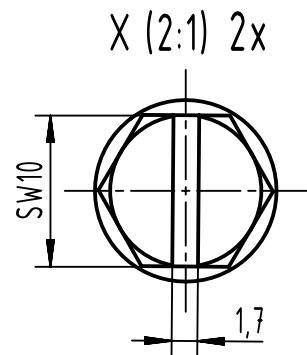
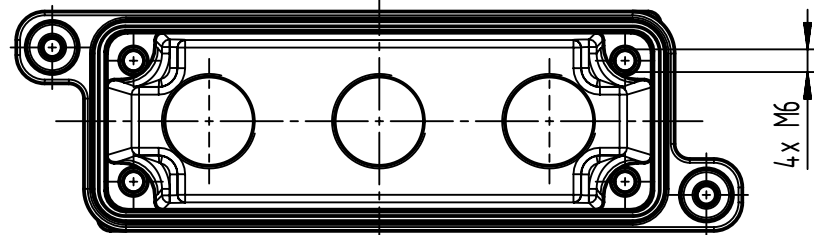
1 2 3 4 5 6

A

B

C

D



	All rights reserved Department EL PD	All Dimensions in mm Original Size DIN A4		Scale 1:2	Free size tol.	Ref.
		Created by 407260	Inspected by DINGB	Standardisation RUETERA	Date 2022-04-15	State Final Release
HARTING D-32339 Espelkamp		Title Han 24HPR-enlarged-HTE3-SCL-M25			Doc-Key / ECM-Nr. 100991692/UGD/004/A 500000215693	
		Type TB	Number 19 40 024 0456		Rev. A	Page 1/1