

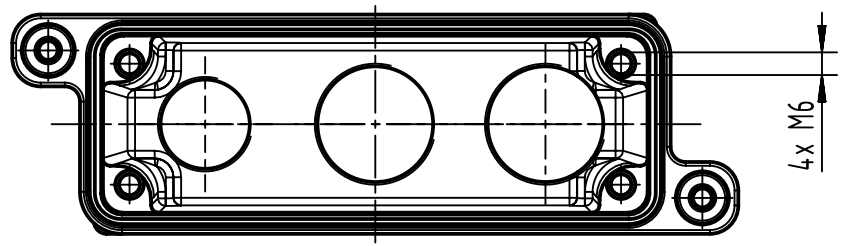
1 2 3 4 5 6

A

B

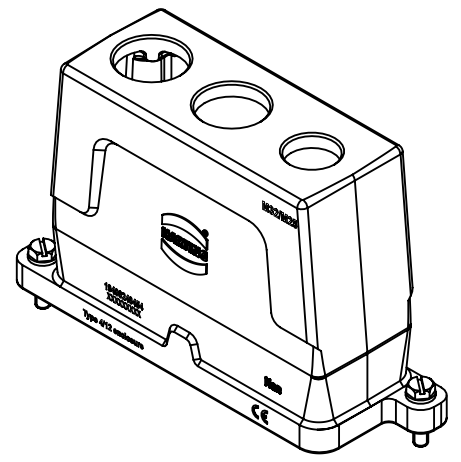
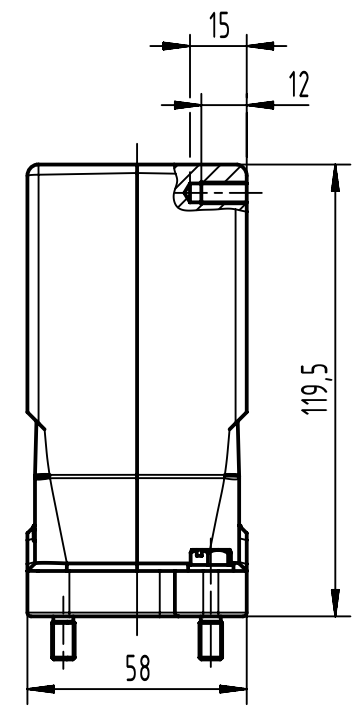
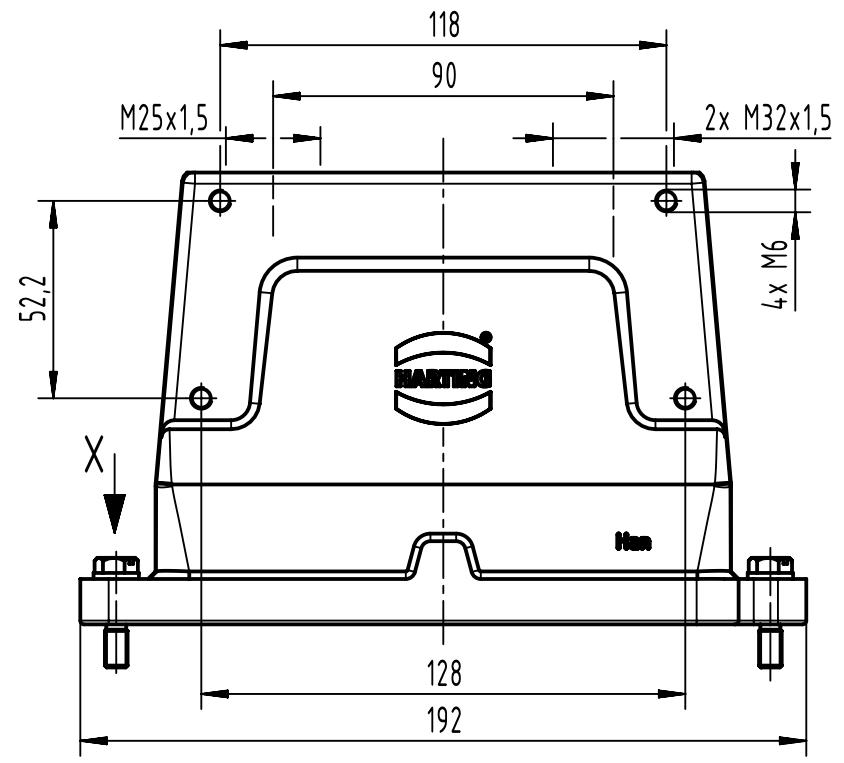
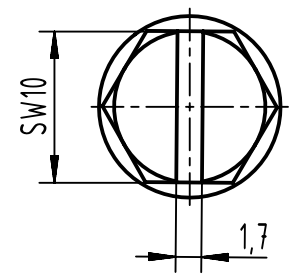
C


D



4x M6

X (2:1)



	All Dimensions in mm Original Size DIN A4		Scale 1:2	Free size tol.		Ref.	
	All rights reserved Department EL PD		Created by 406869	Inspected by DINGB	Standardisation ROEBEN	Date 2023-09-18	State Final Release
HARTING D-32339 Espelkamp		Title Han 24HPR-enlarged-HTE3-SCL-M32/M25				Doc-Key / ECM-Nr. 100958385/UGD/004/B 500000253700	
		Type TB	Number 19 40 024 0454			Rev. B	Page 1/1