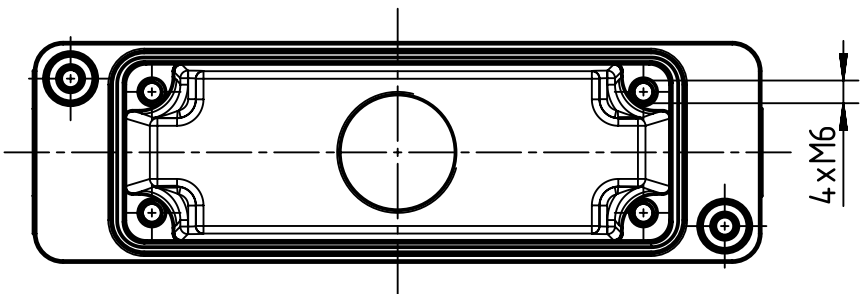


1 2 3 4 5 6

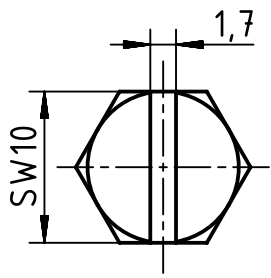
A



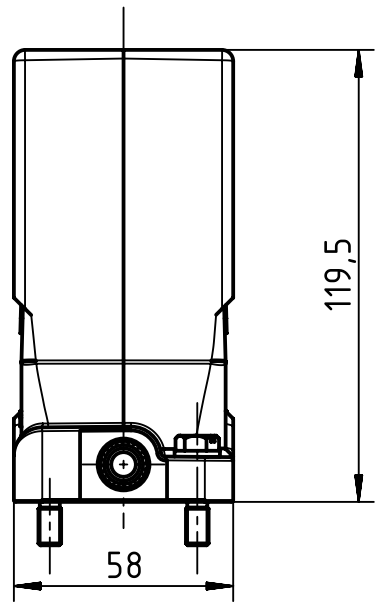
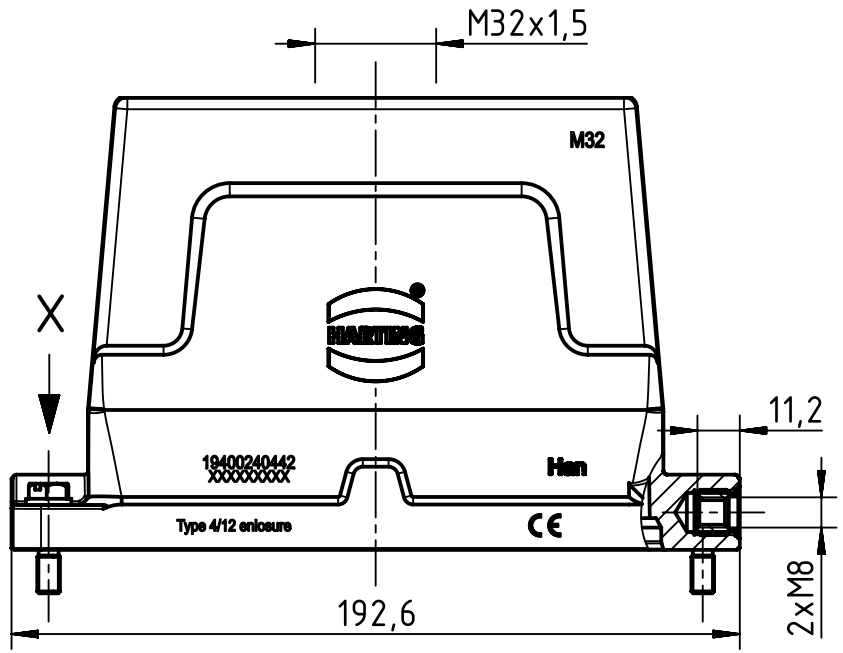
4 x M6

B

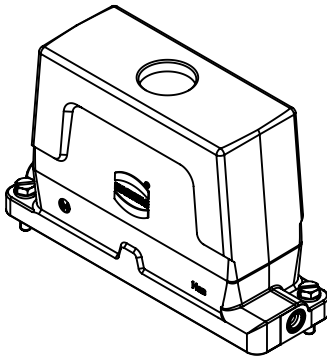
X (2:1)



C



D



	All Dimensions in mm Original Size DIN A4		Scale 1:2	Free size tol.		Ref.	
	All rights reserved Department EL PD		Created by LONGL	Inspected by HEW	Standardisation TIEMANNA	Sub.	
HARTING Electric GmbH & Co. KG D-32339 Espelkamp		Title Han 24HPR enlarged-HTE-SCL-M32-FE				Date 2019-12-31	State Final Release
		Type TB Number 19 40 024 0442				Doc-Key / ECM-Nr. 100794190/UGD/001/C 500000162848	Rev. C Page 1/1