

1 2 3 4 5 6

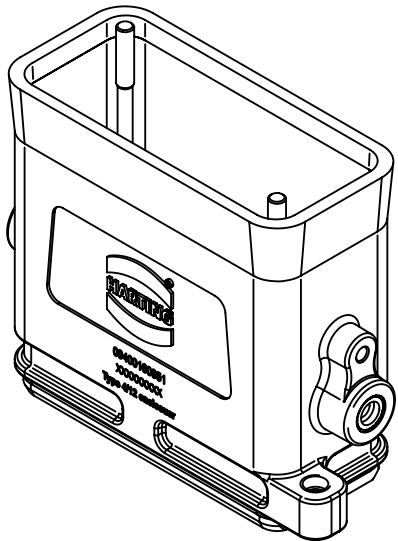
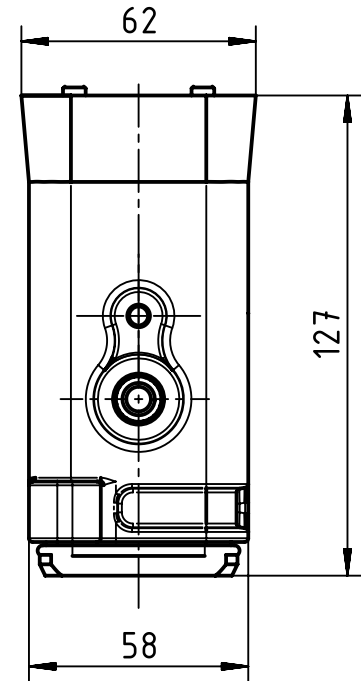
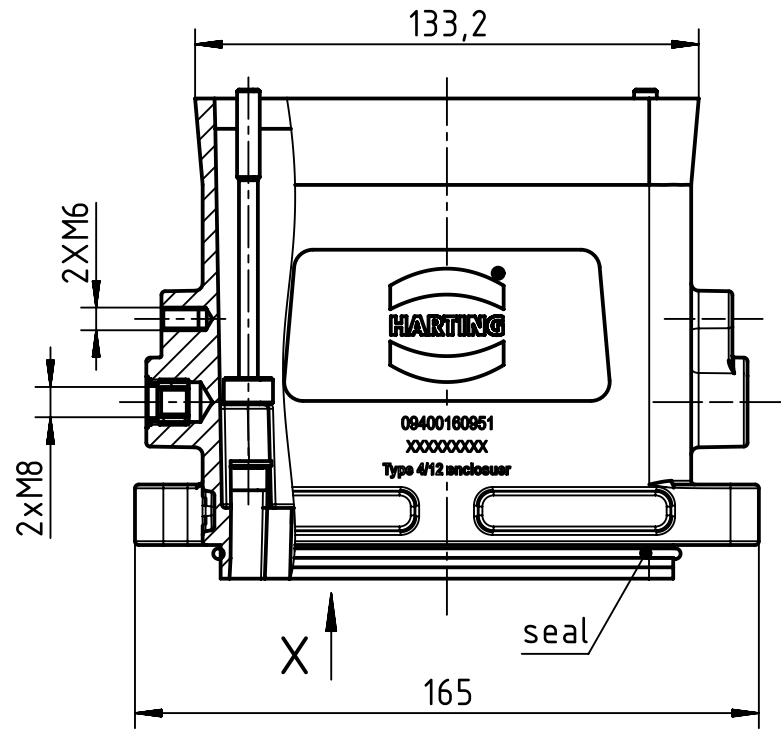
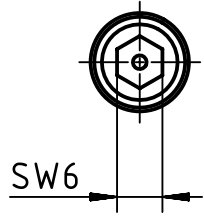
A

B

C

D

X (1:1)



	All Dimensions in mm Original Size DIN A4		Scale 1:2	Free size tol.		Ref.		
						Sub.		
	All rights reserved		Created by LONGL	Inspected by WENE	Standardisation TIEMANNA	Date 2017-09-14	State Final Release	
	Department EL PD - CN		Title Han 16HPR EasyCon-HSM				Doc-Key / ECM-Nr. 100684870/UGD/000/A 500000125163	
HARTING (Zhuhai) Manufacturing Co., Ltd. 519085 Zhuhai, China			Type TB	Number 09 40 016 0951			Rev. A	Page 1/1