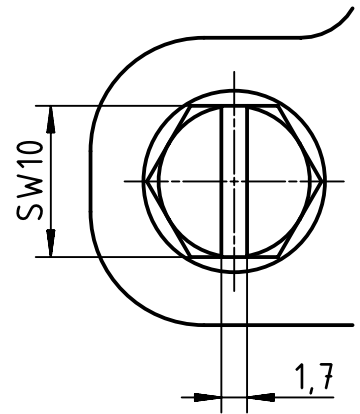
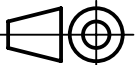



A (2:1)



 All Dimensions in mm Original Size DIN A4		Scale 1:2	Free size tol.		Ref.
 All rights reserved Department EL PD		Created by SPRENB	Inspected by GERB	Standardisation	Date 2021-08-10
HARTING D-32339 Espelkamp		Title Han 10HPR-HSE-Pg16-Screw lock			State Final Release
		Type TB	Number 09 40 010 0511		Doc-Key / ECM-Nr. 100206529/UGD/004/D 500000196731
					Rev. D Page 1/1