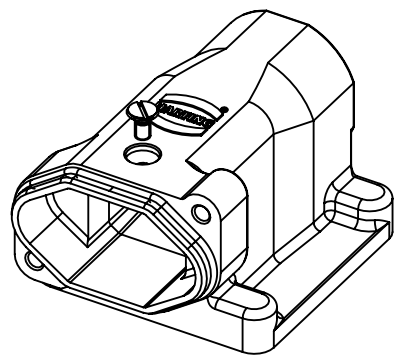


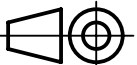

fixing screw M3x6
enclosed separately



bottom closed
gasket enclosed separately

panel cut out

range of delivery:
housing : zinc die-casting alloy,
black powder coated
seals: 1 O-ring, 1 gasket
insert fixing screw for IP 68

 All Dimensions in mm Original Size DIN A4		Scale 1:1	Free size tol.		Ref.
 All rights reserved Department EL PD		Created by HOLLERT	Inspected by GERB	Standardisation	Sub.
HARTING D-32339 Espelkamp		Title Han 3HPR Surface M. H. long, RoHS conf.			Date 2021-11-17 State Final Release
		Type TB	Number 19 40 703 0953		Doc-Key / ECM-Nr. 100192337/UGD/004/C 500000205375 Rev. C Page 1/1