

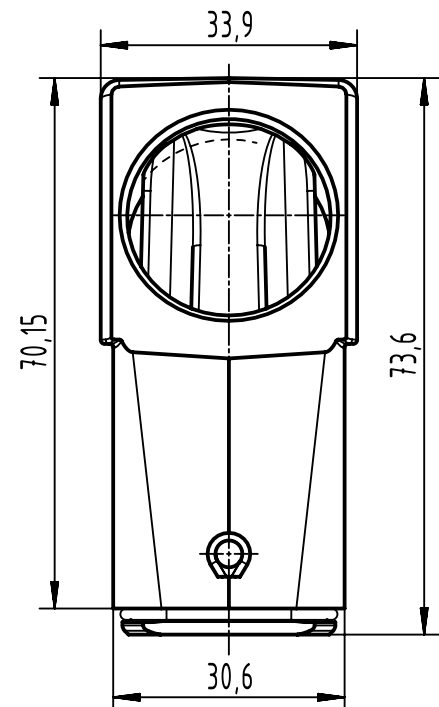
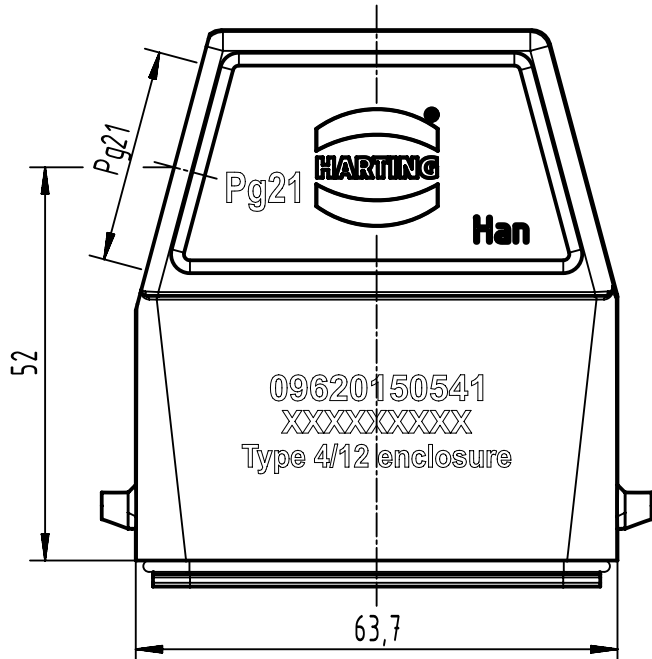
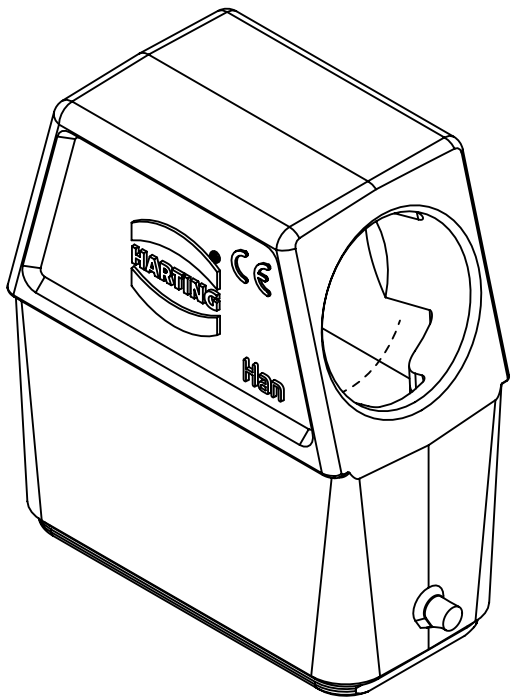
1 2 3 4 5 6

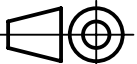

A

B

C

D



	All Dimensions in mm Original Size DIN A4		Scale 1:1	Free size tol.		Ref.		
						Sub.		
	All rights reserved		Created by SPRENB	Inspected by GERB	Standardisation SAP_WFRT	Date 2022-01-25	State Final Release	
	Department EL PD		Title Han EMC 15 Hood Side Entry PG 21				Doc-Key / ECM-Nr. 100090396/UGD/005/D 500000203346	
HARTING D-32339 Espelkamp			Type TB	Number 09 62 015 0541			Rev. D	Page 1/1