

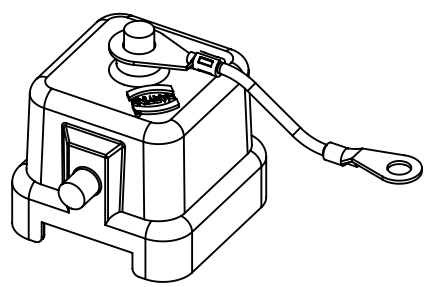
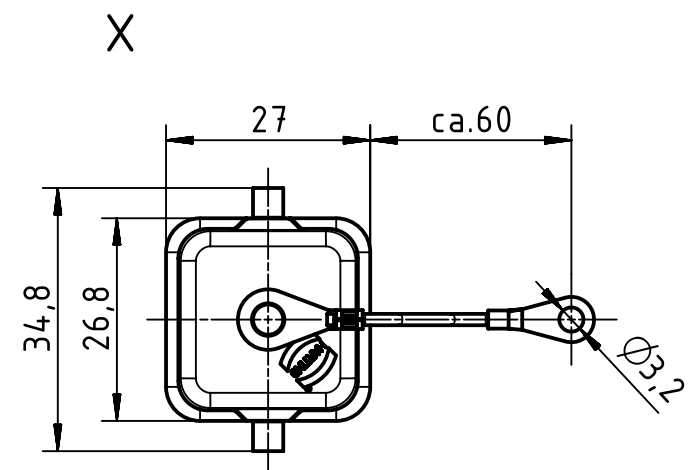
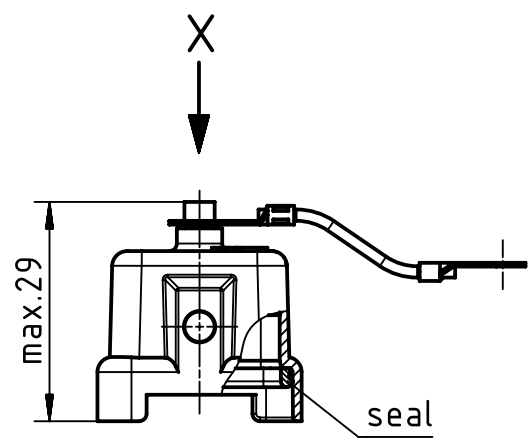
1 2 3 4 5 6

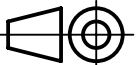

A

B

C

D



 All Dimensions in mm Original Size DIN A4	Scale 1:1		Free size tol.		Ref. Sub. TB 09 20 003 5449 v. 26.09.05	
	 All rights reserved Department EL PD	Created by RULLKOETTER	Inspected by SCHNIEDER	Standardisation RUETERA	Date 2018-10-11	State Final Release
HARTING Electric GmbH & Co. KG D-32339 Espelkamp				Title Han 3A-AK-Dichtung (Kunstst. sw)		Doc-Key / ECM-Nr. 100087242/UGD/005/A 50000014.0953
Type TB		Number 09 20 003 5449			Rev. A	Page 1/1