

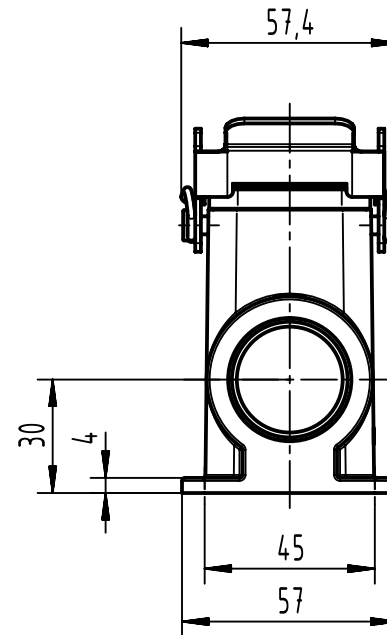
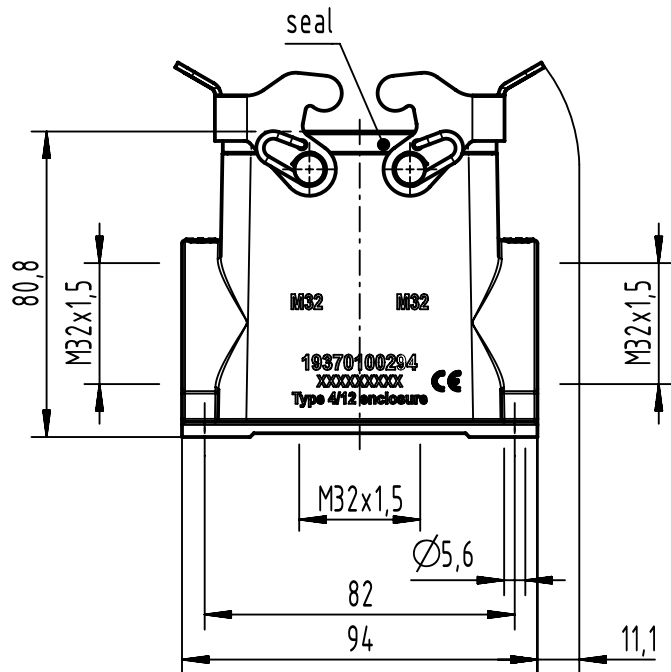
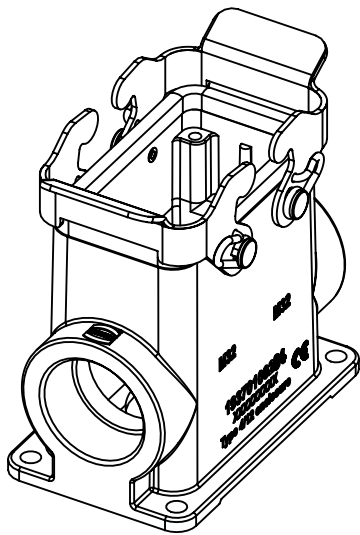
1 2 3 4 5 6

A

B

C

D



	All Dimensions in mm Original Size DIN A4		Scale 1:2	Free size tol.		Ref.		
						Sub.		
	All rights reserved		Created by HELLMANN	Inspected by RIEPE	Standardisation 302077	Date 2021-01-29	State Final Release	
	Department EL PD		Title Han 10M-HSM2-HC-f. DL-M32-M32 bottom				Doc-Key / ECM-Nr. 100935576/UGD/004/A 500000187855	
HARTING D-32339 Espelkamp			Type TB	Number 19 37 010 0294			Rev. A	Page 1/1