

M25x1,5

M25

M25

19370060291
XXXXXXXXXX
Type 4/12 enclosure

M25x1,5

73,8

4x Ø5,6

2x 70

82

seal

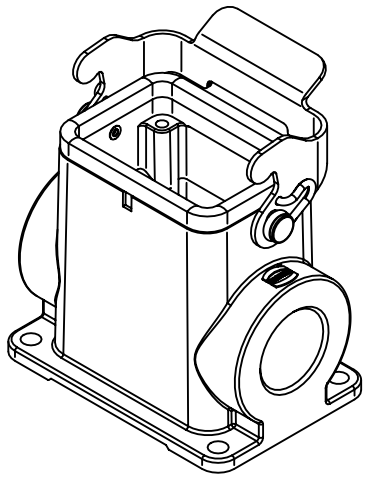
2x 4


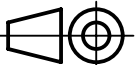

2x 27

2x 45

57

16,3



| | | | | | | | | | | | | | | |
|--|---------------------|--|-----------------------------|--|--|----------------|-----------------|--|-----------------------|--|---------------------|----------|--|--|
|  | All rights reserved | | Created by HOLLERT | | Inspected by RIEPE | | Standardisation | | Date 2023-04-20 | | State Final Release | | | |
| | Department EL PD | | Title Han 6M-HSM2-HC-SL-M25 | | Doc-Key / ECM-Nr. 100207219/UGD/004/E 500000242051 | | Type TB | | Number 19 37 006 0291 | | Rev. E | | | |
|  All Dimensions in mm Original Size DIN A4 | | | Scale 1:1 | | | Free size tol. | | | Ref. | | | Sub. | | |
|  | | | D-32339 Espelkamp | | | | | | | | | Page 1/1 | | |