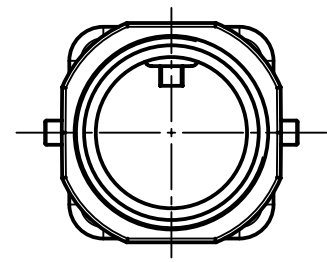
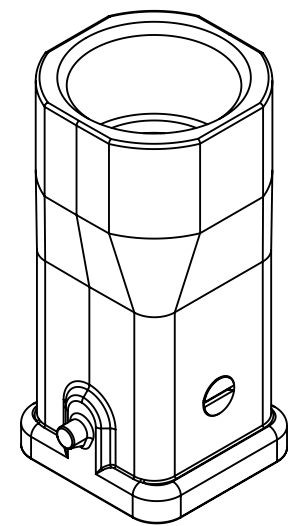
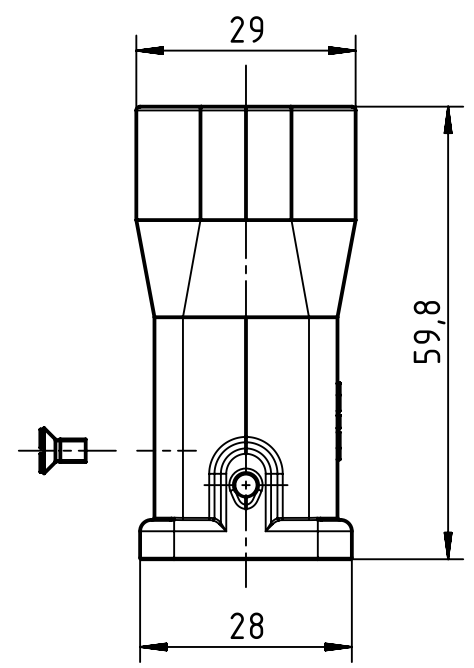
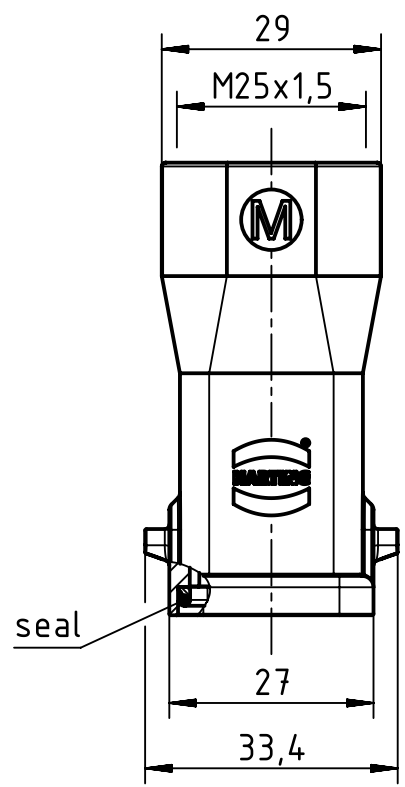


1 2 3 4 5 6

A
B
C
D



	All rights reserved Department EL PD - CN	All Dimensions in mm Original Size DIN A4			Scale 1:1	Free size tol.	Ref.	
		Created by LONGL	Inspected by DINGB	Standardisation TIEMANNA	Date 2017-01-10	State Final Release	Sub.	
HARTING (Zhuhai) Manufacturing Co., Ltd. 519085 Zhuhai, China		Title	Doc-Key / ECM-Nr. 100704824/UGD/002/A 500000113077		Type TB	Number 19 37 003 1447	Rev. A	Page 1/1