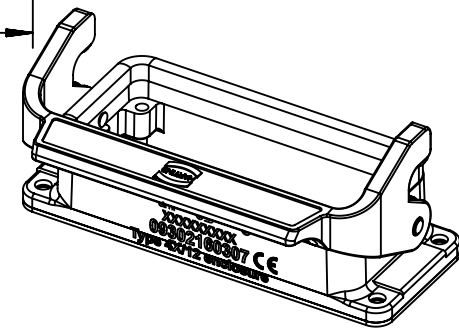
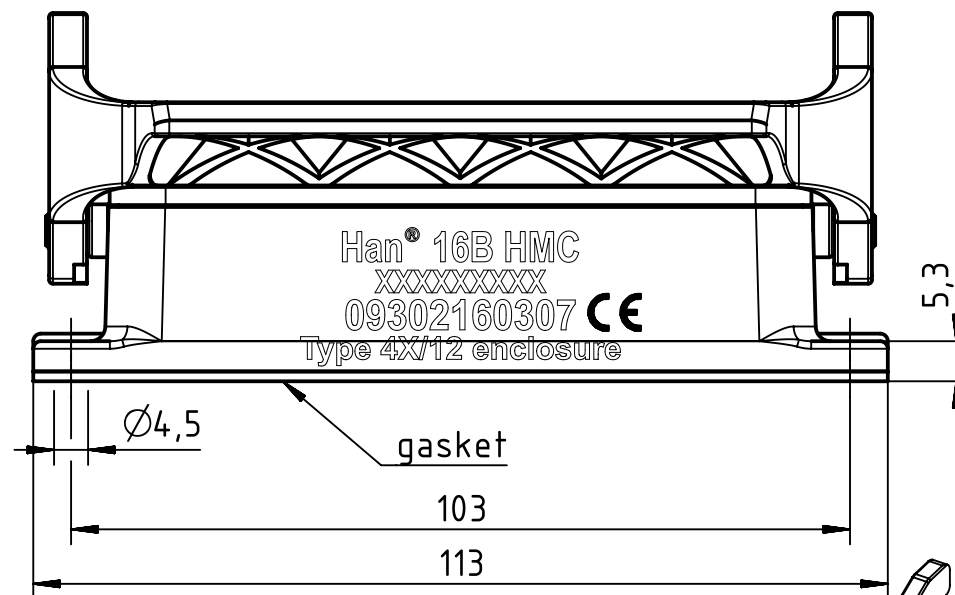
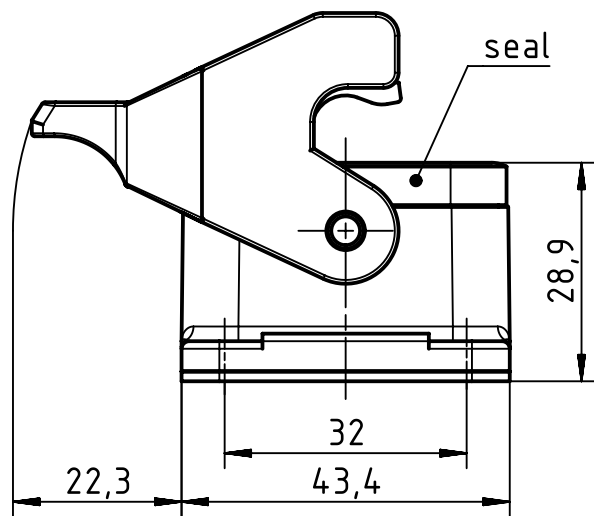
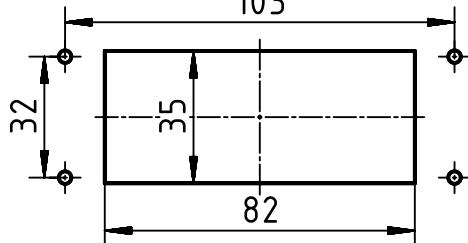


1 2 3 4 5 6

A  
B  
C  
D



(1:2)  
panel cut out  
103



	All rights reserved Department EL PD	All Dimensions in mm Original Size DIN A4		Scale 1:1	Free size tol.	Ref.
		Created by SPRENB	Inspected by SUNDERMEIER	Standardisation RUETERA	Date 2020-02-28	State Final Release
HARTING Electric GmbH & Co. KG D-32339 Espelkamp		Title Han 16B-HMC-agg-LB			Doc-Key / ECM-Nr. 100524747/UGD/002/C 500000167005	
		Type TB	Number 09 30 216 0307		Rev. C	Page 1/1